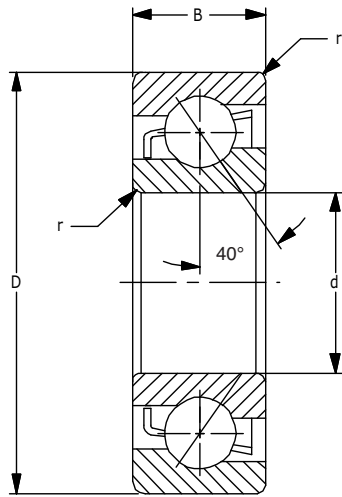


7200 ANGULAR CONTACT SERIES



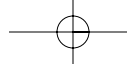
40°
CONTACT ANGLE

The 7200 series is a light duty series used in applications that call for thrust or combination thrust and radial loads. Standard production is made with 40° contact angle. This series is available with various contact angles. Consult your Peer sales engineer to discuss your exact requirements. Retainers can be made of various materials: bronze, brass or non-metallic. Duplex pairing is available upon request.

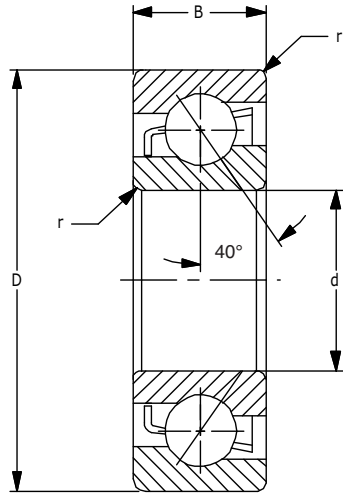
A=30° Contact Angle
B=40° Contact Angle
C=15° Contact Angle

Part Number	Bore d	Tolerance +.0000 to minus	OD D	Tolerance +.0000 to minus	Width B	Tolerance +.0000 to minus	* fillet radii r	Basic Load Ratings		Weight lb Kg
								Dynamic Cr	Static Cor	
7200	.3937	.0003	1.1811	.0005	.3543	.0047	.024	1,220	615	.064
	10	.008	30	.011	9	.120	.6	5,426	2,735	.029
7201	.4724	.0003	1.2598	.0005	.3937	.0047	.024	1,676	843	.077
	12	.008	32	.011	10	.120	.6	7,450	3,750	.034
7202	.5906	.0003	1.3780	.0005	.4331	.0047	.024	2,040	1,060	.110
	15	.008	35	.011	11	.120	.6	9,073	4,714	.050
7203	.6693	.0003	1.5748	.0005	.4724	.0047	.024	2,690	1,690	.140
	17	.008	40	.011	12	.120	.6	11,965	6,627	.064
7204	.7874	.0004	1.8504	.0005	.5512	.0047	.039	3,250	1,890	.250
	20	.010	47	.011	14	.120	1.0	14,456	8,406	.113
7205	.9843	.0004	2.0472	.0005	.5906	.0047	.039	3,650	2,320	.290
	25	.010	52	.011	15	.120	1.0	16,235	10,319	.132
7206	1.1811	.0004	2.4409	.0005	.6299	.0047	.039	5,050	3,350	.425
	30	.010	62	.011	16	.120	1.0	22,462	14,900	.193
7207	1.3780	.0005	2.8346	.0005	.6693	.0047	.039	6,700	4,500	.660
	35	.012	72	.011	17	.120	1.0	29,800	20,016	.299
7208	1.5748	.0005	3.1496	.0005	.7087	.0047	.039	7,950	5,650	.783
	40	.012	80	.011	18	.120	1.0	35,361	25,130	.355
7209	1.7717	.0005	3.3465	.0006	.7480	.0047	.039	8,900	6,450	.940
	45	.012	85	.015	19	.120	1.0	39,587	28,689	.426
7210	1.9685	.0005	3.5433	.0006	.7874	.0047	.039	9,300	7,050	1.000
	50	.012	90	.015	20	.120	1.0	41,366	31,358	.454
7211	2.1654	.0006	3.9370	.0006	.8268	.0059	.059	11,500	8,900	1.340
	55	.015	100	.015	21	.150	1.5	51,152	39,587	.608
7212	2.3622	.0006	4.3307	.0006	.8661	.0059	.059	13,900	11,000	1.79
	60	.015	110	.015	22	.150	1.5	61,827	48,928	.815
7213	2.5591	.0006	4.7244	.0006	.9055	.00659	.059	15,800	13,000	2.220
	65	.015	120	.015	23	.150	1.5	70,278	57,824	1.007
7214	2.7559	.0006	4.9213	.0007	.9449	.0059	.059	17,200	14,300	2.410
	70	.015	125	.018	24	.150	1.5	76,505	63,606	1.093

*Maximum fillet which corner radius of bearing will clear.



7300 ANGULAR CONTACT SERIES



40°
CONTACT ANGLE

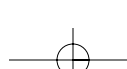
The 7300 series is a light duty series used in applications that call for thrust or combination thrust and radial loads. Standard production is made with 40° contact angle. This series is available with various contact angles. Consult your Peer sales engineer to discuss your exact requirements. Retainers can be made of various materials: bronze, brass or non-metallic. Duplex pairing is available upon request.

A=30° Contact Angle
B=40° Contact Angle
C=15° Contact Angle

Units: Inches
Metric

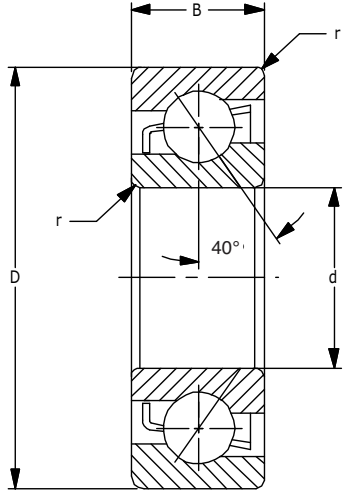
Part Number	Bore d	Tolerance +.0000 to minus	OD D	Tolerance +.0000 to minus	Width B	Tolerance +.0000 to minus	* fillet radius r	Basic Load Ratings lbf N		Weight lb Kg	Limiting speed of Open Bearing (rpm)	
								Dynamic Cr	Static Cor		oil	grease
7300	.3937	.0003	1.3780	.0005	.4331	.0047	.039	2,280	1,100	.120	24,000	18,000
	10	.008	35	.011	11	.120	1.0	10,141	4,892	.054		
7301	.4724	.0003	1.4567	.0005	.4724	.0047	.039	2,510	1,180	.136	21,000	15,000
	12	.008	37	.011	12	.120	1.0	11,164	5,248	.062		
7302	.5906	.0003	1.6535	.0005	.5118	.0047	.039	3,000	1,620	.189	18,000	14,000
	15	.008	42	.011	13	.120	1.0	13,344	7,205	.086		
7303	.6693	.0003	1.8504	.0005	.5512	.0047	.039	3,600	1,940	.260	16,000	12,000
	17	.008	47	.011	14	.120	1.0	16,000	8,629	.118		
7304	.7874	.0004	2.0472	.0005	.5906	.0047	.039	4,200	2,340	.340	15,000	10,500
	20	.010	52	.011	15	.120	1.0	18,683	10,4008	.154		
7305	.9843	.0004	2.4409	.0005	.6693	.0047	.039	5,950	3,550	.550	12,000	9,000
	25	.010	62	.011	17	.120	1.0	26,465	15,790	.249		
7306	1.1811	.0004	2.8346	.0005	.7480	.0047	.039	7,550	5,000	.800	10,500	8,000
	30	.010	72	.011	19	.120	1.0	33,582	22,240	.363		
7307	1.3780	.0005	3.1496	.0005	.8268	.0047	.059	9,000	5,900	1.030	9,000	6,900
	35	.012	80	.011	21	.120	1.5	40,036	26,243	.467		
7308	1.5748	.0005	3.5433	.0005	.9055	.0047	.059	11,000	7,400	1.410	8,000	6,000
	40	.012	90	.011	23	.120	1.5	48,928	32,915	.640		
7309	1.7717	.0005	3.9370	.0005	.9843	.0047	.059	14,300	9,800	1.880	7,300	5,500
	45	.012	100	.011	25	.120	1.5	63,606	43590	.853		
7310	1.9685	.0005	4.3307	.0006	1.0630	.0047	.079	16,700	11,700	2.470	6,500	5,000
	50	.012	110	.015	27	.120	2.0	74,281	52,046	1.120		
7311	2.1654	.0006	4.7244	.0006	1.1417	.0059	.079	19,300	13,900	3.100	5,900	4,500
	55	.015	120	.015	29	.150	2.0	85,846	61,827	1.45		
7312	2.3622	.0006	5.1181	.0007	1.2205	.0059	.079	22,000	16,100	3.810	5,500	4,000
	60	.015	130	.018	31	.150	2.0	97,856	71,612	1.728		
7313	2.5591	.0006	5.5118	.0007	1.2992	.0059	.079	25,000	18,400	4.700	5,000	3,800
	65	.015	140	.018	33	.150	2.0	111,000	81,843	2.132		
7314	2.7559	.0006	5.9055	.0007	1.3780	.0059	.079	28,000	21,000	5.720	4,700	3,500
	70	.015	150	.018	35	.150	2.0	124,544	93,416	2.595		

*Maximum fillet which corner radius of bearing will clear.





7200 ANGULAR CONTACT SERIES (continued)



The 7200 series is a light duty series used in applications that call for thrust or combination thrust and radial loads. Standard production is made with 40° contact angle. This series is available with various contact angles. Consult your Peer sales engineer to discuss your exact requirements. Retainers can be made of various materials: bronze, brass or non-metallic. Duplex pairing is available upon request.

- A=30° Contact Angle
- B=40° Contact Angle
- C=15° Contact Angle

40°
CONTACT ANGLE

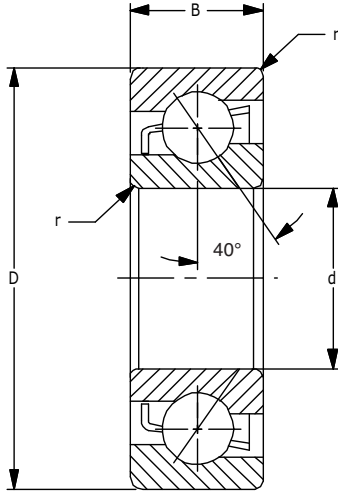
Units: Inches
Metric

Part Number	Bore d	Tolerance +.0000 to minus	OD D	Tolerance +.0000 to minus	Width B	Tolerance +.0000 to minus	* fillet radii r	Basic Load Ratings lbf N		Weight lb Kg
								Dynamic Cr	Static Cor	
7215	2.9528	.0006	4.1181	.0007	.9843	.0059	.059	17,800	15,400	2.590
	.75	.015	130	.018	25	.150	1.5	79,174	68,499	1.175
7216	3.1496	.0006	5.5118	.0007	1.0236	.0059	.079	20,000	17,100	3.130
	.80	.015	140	.018	26	.150	2.0	88,960	76,060	1.420
7217	3.3465	.0008	5.9055	.0007	1.1024	.0079	.079	22,400	19,900	3.940
	.85	.020	150	.018	28	.200	2.0	99,635	88,515	1.787
7218	3.5433	.0008	6.2992	.0010	1.1811	.0079	.079	26,500	23,200	5.000
	.90	.020	160	.025	30	.200	2.0	117,872	103,193	2.268
7219	3.7402	.0008	6.6929	.0010	1.2598	.0079	.079	30,000	26,500	5.900
	.95	.020	170	.025	32	.200	2.0	133,440	117,872	2.676
7220	3.9370	.0008	7.0866	.0010	1.3386	.0079	.079	32,500	28,200	7.200
	1.00	.020	180	.025	34	.200	2.0	144,560	125,433	3.266
7221	4.1339	.0008	7.4803	.0012	1.4173	.0079	.079	35,000	32,000	8.470
	1.05	.020	190	.030	36	.200	2.0	155,680	142,336	3.842
7222	4.3307	.0008	7.8740	.0012	1.4961	.0079	.079	38,000	35,500	1.200
	1.10	.020	200	.030	38	.200	2.0	169,024	157,904	4.627
7224	4.7244	.0008	7.4646	.0012	1.5748	.0079	.079	41,000	40,000	13.8
	1.20	.020	215	.030	40	.200	2.0	182,368	177,920	6.26
7226	5.1181	.0010	9.0551	.0012	1.5748	.0098	.098	44,000	44,500	15.65
	1.30	.025	230	.030	40	.250	2.5	195,712	197,936	7.10
7228	5.5118	.0010	9.8425	.0012	1.6535	.0098	.098	45,500	48,500	19.71
	1.40	.025	250	.030	42	.250	2.5	202,384	215,728	8.94
7230	5.9055	.0010	1.6299	.0014	1.7717	.0098	.098	52,000	58,000	24.69
	1.50	.025	270	.035	45	.250	2.5	231,296	257,984	11.2
7232	6.2992	.0010	11.4173	.0014	1.8898	.0098	.098	59,175	69,000	31.500
	1.60	.025	290	.035	48	.250	2.5	263,000	306,912	14.288
7234	6.6929	.0010	12.2047	.0014	2.0472	.0098	.118	66,375	81,000	38.600
	1.70	.025	310	.035	52	.250	3.0	295,000	360,000	17.509
7236	7.0866	.0012	12.5984	.0016	2.0472	.0098	.118	68,625	86,625	4.300
	1.80	.030	320	.040	52	.250	3.0	305,000	385,000	18.280
7238	7.4803	.0012	13.3858	.0016	2.1654	.0118	.118	70,875	92,250	5.700
	1.90	.030	340	.040	55	.300	3.0	315,000	410,000	22.998

*Maximum fillet which corner radius of bearing will clear.



7300 ANGULAR CONTACT SERIES (continued)



The 7300 series is a light duty series used in applications that call for thrust or combination thrust and radial loads. Standard production is made with 40° contact angle. This series is available with various contact angles. Consult your Peer sales engineer to discuss your exact requirements. Retainers can be made of various materials: bronze, brass or non-metallic. Duplex pairing is available upon request.

A=30° Contact Angle
B=40° Contact Angle
C=15° Contact Angle

40°
CONTACT ANGLE

Units: Inches
Metric

Part Number	Bore d	Tolerance +.0000 to minus	OD D	Tolerance +.0000 to minus	Width B	Tolerance +.0000 to minus	* fillet radius r	Basic Load Ratings lbf N		Weight lb Kg	Limiting speed of Open Bearing (rpm)	
								Dynamic Cr	Static Cor		oil	grease
7315	2.9528	.0006	6.2992	.0010	1.4567	.0059	.079	30,500	23,800	6.840	4,300	3,300
	.75	.015	160	.025	37	.150	2.0	134,664	105,862	3.103		
7316	3.1496	.0006	6.6929	.0010	1.5354	.0059	.079	33,000	26,700	8.130	4,100	3,000
	.80	.015	170	.025	39	.150	2.0	146,784	118,761	3.688		
7317	3.3465	.0008	7.0866	.0012	1.6142	.0079	.098	35,500	29,800	9.530	3,800	2,900
	.85	.020	180	.030	41	.200	2.5	157,904	132,550	4.323		
7318	3.5433	.0008	7.4803	.0012	1.6929	.0079	.098	38,500	33,000	11.39	3,600	2,700
	.90	.020	190	.030	43	.200	2.5	171,248	146,784	5.17		
7319	3.7402	.0008	7.8740	.0012	1.7717	.0079	.098	41,000	36,500	13.18	3,350	2,600
	.95	.020	200	.030	45	.200	2.5	182,368	162,352	5.98		
7320	3.9370	.0008	8.4646	.0012	1.8504	.0079	.098	46,400	43,500	15.900	3,200	2,400
	1.00	.020	215	.030	47	.200	2.5	206,832	193,488	7.212		
7321	4.1339	.0008	8.8583	.0012	1.9291	.0079	.098	49,500	47,500	20.79	3,000	2,300
	1.05	.020	225	.030	49	.200	2.5	220,176	211,280	9.43		
7322	4.3307	.0008	9.4488	.0012	1.9685	.0079	.098	52,000	50,500	24.69	2,900	2,200
	1.10	.020	240	.030	50	.200	2.5	231,296	224,624	11.2		
7324	4.7244	.0008	1.2362	.0014	2.1654	.0079	.098	55,500	56,500	31.75	2,650	2,000
	1.20	.020	260	.035	55	.200	2.5	246,864	251,312	14.4		
7326	5.1181	.0010	11.0236	.0014	2.2835	.0098	.118	61,500	66,000	33.8	2,500	1,850
	1.30	.025	280	.035	58	.250	3.0	273,552	293,568	17.6		
7328	5.5118	.0010	11.8110	.0016	2.4409	.0098	.118	67,500	75,500	47.6	2,250	1,700
	1.40	.025	300	.040	62	.250	3.0	300,240	355,824	21.6		
7330	5.9055	.0010	1.5984	.0016	2.5591	.0098	.119	74,000	86,000	57.10	2,100	1,600
	1.50	.025	320	.040	65	.250	3.0	329,152	382,528	25.9		
7332	6.2992	.0010	13.3858	.0016	2.6772	.0098	.119	78,000	95,000	67.9	1,920	1,450
	1.60	.025	340	.040	68	.250	3.0	346,975	422,560	30.8		
7334	6.6929	.0010	14.1732	.0016	2.8/346	.0098	.120	87,500	109,000	77.00	1,850	1,350
	1.70	.025	360	.040	72	.250	3.0	389,200	484,832	35.000		
7336	7.0866	.0012	14.9606	.0016	2.9528	.0098	.120	92,000	120,000	93.9	1,700	1,300
	1.80	.030	380	.040	75	.250	3.0	409,216	533,8760	42.6		
7338	7.4803	.0012	15.7480	.0016	3.0709	.0098	.157	96,500	131,000	104.07	1,600	1,200
	1.90	.030	400	.040	78	.250	4.0	429,232	582,688	47.2		
7340	7.8740	.0012	16.5354	.0016	3.1496	.0098	.157	101,000	137,000	121.9	1,500	1,100
	2.00	.030	420	.040	80	.250	4.0	449,248	609,376	55.3		

*Maximum fillet which corner radius of bearing will clear.