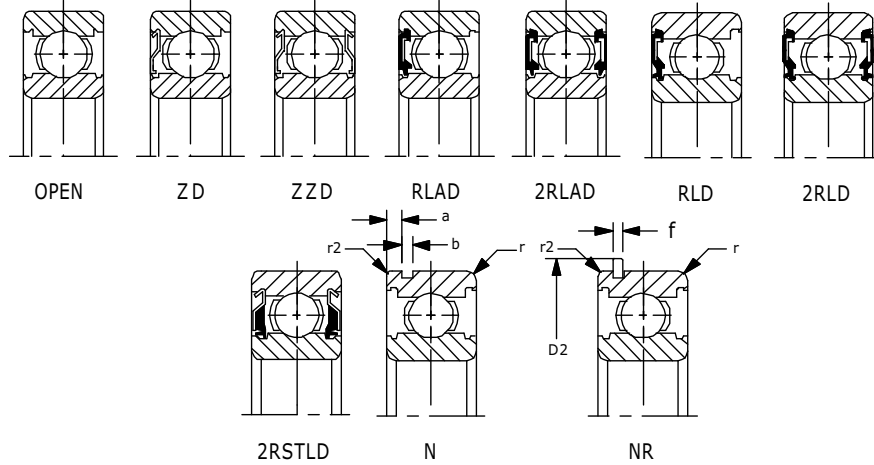
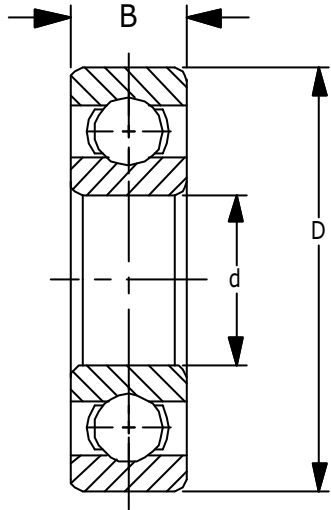




6400 SERIES

Similar to the 6200 and 6300 series offering various options such as shields, seals and locating rings. Manufactured with a larger ball size enabling the user to significantly increase the load using basically the same shaft parameters.



Units: Inches
Metric

| Part Number | Bore d | Tolerance +.0000 to minus | OD D | Tolerance +.0000 to minus | Width B | Tolerance +.0000 to minus | * fillet radii | | snap ring dimensions | | snap ring groove dimensions | | Basic Load Ratings lb f N | | Weight lb Kg | Limiting speed of Open Bearing (rpm) | |
|-------------|--------|---------------------------|--------|---------------------------|---------|---------------------------|----------------|----------------|----------------------|-------|-----------------------------|-------|---------------------------|------------|--------------|--------------------------------------|--------|
| | | | | | | | r | r ₂ | D ₂ Max | f Max | a Max | b Min | Dynamic Cr | Static Cor | | oil | grease |
| 6403 | .6693 | .0003 | 2.4409 | .0005 | .6693 | .0047 | .043 | .020 | 2.665 | .067 | .129 | .075 | 5,300 | 2,500 | .600 | 16,000 | 14,000 |
| | 17 | .008 | 62 | .013 | 17 | .120 | 1.1 | .5 | 67.7 | 1.7 | 3.28 | 1.9 | 23,574 | 11,120 | .272 | | |
| 6404 | .7874 | .0004 | 2.8346 | .0005 | .7480 | .0047 | .043 | .020 | 3.091 | .067 | .129 | .075 | 6,950 | 3,350 | .900 | 14,000 | 12,000 |
| | 20 | .010 | 72 | .013 | 19 | .120 | 1.1 | .5 | 78.5 | 1.7 | 3.28 | 1.9 | 30,913 | 14,902 | .408 | | |
| 6405 | .9843 | .0004 | 3.1496 | .0005 | .8268 | .0047 | .059 | .020 | 3.406 | .067 | .129 | .075 | 8,150 | 4,300 | 1.220 | 12,000 | 10,000 |
| | 25 | .010 | 80 | .013 | 21 | .120 | 1.5 | .5 | 86.5 | 1.7 | 3.28 | 1.9 | 36,251 | 19,128 | .553 | | |
| 6406 | 1.1811 | .0004 | 3.5433 | .0006 | .9055 | .0047 | .059 | .020 | 3.800 | .097 | .129 | .106 | 9,750 | 5,350 | 1.640 | 10,000 | 8,800 |
| | 30 | .010 | 90 | .015 | 23 | .120 | 1.5 | .5 | 96.5 | 2.46 | 3.28 | 2.7 | 43,368 | 23,796 | .744 | | |
| 6407 | 1.3780 | .0005 | 3.9370 | .0006 | .9842 | .0047 | .059 | .020 | 4.1933 | .097 | .129 | .106 | 12,200 | 6,950 | 2.160 | 9,100 | 7,800 |
| | 35 | .012 | 100 | .015 | 25 | .120 | 1.5 | .5 | 106.5 | 2.46 | 3.28 | 2.7 | 54,270 | 30,913 | .980 | | |
| 6408 | 1.5748 | .0005 | 4.3307 | .0006 | 1.0630 | .0047 | .079 | .020 | 4.57 | .097 | .129 | .106 | 14,300 | 8,200 | 2.800 | 8,200 | 7,000 |
| | 40 | .012 | 110 | .015 | 27 | .120 | 2.0 | .5 | 116.5 | 2.46 | 3.28 | 2.7 | 63,612 | 36,477 | 1.270 | | |
| 6409 | 1.7717 | .0005 | 4.7244 | .0006 | 1.1417 | .0047 | .079 | .020 | 5.102 | .111 | .160 | .122 | 17,300 | 10,200 | 3.480 | 7,400 | 6,300 |
| | 45 | .012 | 120 | .015 | 29 | .120 | 2.0 | .5 | 129.6 | 2.82 | 4.06 | 3.1 | 79,950 | 45,369 | 1.579 | | |
| 6410 | 1.9685 | .0005 | 5.1181 | .0007 | 1.2205 | .0047 | .083 | .020 | 5.496 | .111 | .160 | .122 | 19,600 | 11,600 | 4.340 | 6,700 | 5,700 |
| | 50 | .012 | 130 | .018 | 31 | .120 | 2.1 | .5 | 139.6 | 2.82 | 4.06 | 3.1 | 87,180 | 51,596 | 1.970 | | |
| 6411 | 2.1654 | .0006 | 5.5118 | .0007 | 1.2992 | .0059 | .083 | .020 | 5.894 | .111 | .193 | .122 | 22,400 | 14,000 | 5.250 | 6,100 | 5,200 |
| | 55 | .015 | 140 | .018 | 33 | .150 | 2.1 | .5 | 149.7 | 2.82 | 4.9 | 3.1 | 99,635 | 62,272 | 2.381 | | |
| 6412 | 2.3622 | .0006 | 5.9055 | .0007 | 1.3780 | .0059 | .083 | .020 | 6.287 | .111 | .193 | .122 | 24,500 | 15,600 | 6.370 | 5,700 | 4,800 |
| | 60 | .015 | 150 | .018 | 35 | .150 | 2.1 | .5 | 159.7 | 2.82 | 4.9 | 3.1 | 108,976 | 69,388 | 2.890 | | |
| 6413 | 2.5591 | .0006 | 6.2992 | .0010 | 1.4567 | .0059 | .083 | .020 | 6.677 | .122 | .193 | .122 | 26,500 | 17,600 | 7.580 | 5,200 | 4,400 |
| | 65 | .015 | 160 | .020 | 37 | .150 | 2.1 | .5 | 169.6 | 2.82 | 4.9 | 3.1 | 117,872 | 78,284 | 3.440 | | |
| 6414 | 2.7559 | .0006 | 7.0866 | .0010 | 1.6535 | .0059 | .118 | .020 | 7.594 | .122 | .224 | .138 | 32,000 | 23,200 | 10.300 | 4,800 | 4,100 |
| | 70 | .015 | 180 | .020 | 42 | .150 | 3.0 | .5 | 192.9 | 3.1 | 5.69 | 3.5 | 142,349 | 103,193 | 4.672 | | |
| 6415 | 2.9528 | .0006 | 7.4803 | .0012 | 1.7717 | .0059 | .118 | .020 | 7.984 | .122 | .224 | .138 | 34,500 | 25,500 | 15.000 | 4,500 | 3,800 |
| | 75 | .015 | 190 | .030 | 45 | .150 | 3.0 | .5 | 202.8 | 3.1 | 5.69 | 3.5 | 153,456 | 113,434 | 6.804 | | |
| 6416 | 3.1496 | .0006 | 7.8740 | .0012 | 1.8898 | .0059 | .118 | .020 | 8.382 | .122 | .224 | .138 | 36,500 | 28,000 | 17.800 | 4,200 | 3,500 |
| | 80 | .015 | 200 | .030 | 48 | .150 | 3.0 | .5 | 212.9 | 3.1 | 5.69 | 3.5 | 162,367 | 124,544 | 8.074 | | |
| 6417 | 3.3465 | .0008 | 8.2677 | .0012 | 2.0472 | .0079 | .157 | .020 | 8.776 | .122 | .224 | .138 | 39,000 | 30,500 | 21.000 | 4,000 | 3,400 |
| | 85 | .020 | 210 | .030 | 52 | .200 | 4.0 | .5 | 222.9 | 3.1 | 5.69 | 3.5 | 173,472 | 135,664 | 9.526 | | |
| 6418 | 3.5433 | .0008 | 8.8583 | .0012 | 2.1260 | .0079 | .157 | .020 | 9.362 | .122 | .224 | .138 | 44,000 | 36,500 | 25.000 | 3,800 | 3,200 |
| | 90 | .020 | 225 | .030 | 54 | .200 | 4.0 | .5 | 237.8 | 3.1 | 5.69 | 3.5 | 195,712 | 162,352 | 11.340 | | |

*Maximum fillet which corner radius of bearing will clear.