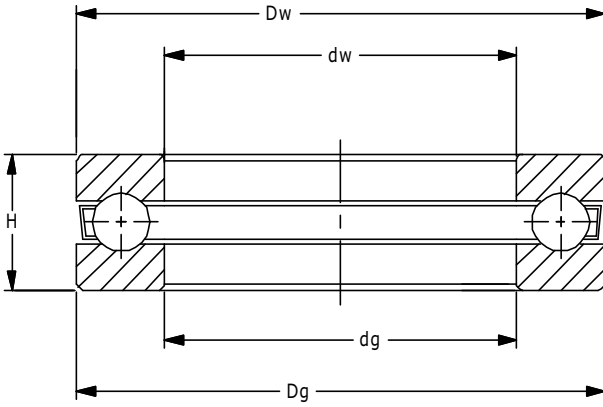




THRUST BEARINGS



Thrust ball bearings single direction. Thrust ball bearings are available in both the single and double direction designs. Either one can take high axial load but no radial load. Besides the conventional design with flat supporting surfaces, the standard includes thrust ball bearings made with spherical housing washers and seating rings.

Part Number	Dimensions (Metric)					Approx. Wgt. (lbs.)	Interchange			
	dw	dg	Dw	Dg	H		FAG SKF (Eur.)	RHP SNR	RIV	
51100	10	11	24	24	9	0.05	51100	51100	ELP	10
51101	12	13	26	26	9	0.05	51101	51101	ELP	12
51102	15	16	28	28	9	0.06	51102	51102	ELP	15
51103	17	18	30	30	9	0.07	51103	51103	ELP	17
51104	20	21	35	35	10	0.09	51104	51104	ELP	20
51105	25	26	42	42	11	0.13	51105	51105	ELP	25
51106	30	32	47	47	11	0.14	51106	51106	ELP	30
51107 X	35	37	52	52	12	0.20	51107 X	51107 X	ELPn	35
51107	35	37	53	53	12	0.22	51107	51107	ELP	35
51108	40	42	60	60	13	0.26	51108	51108	ELP	40
51109	45	47	65	65	14	0.31	51109	51109	ELP	45
51110	50	52	70	70	14	0.34	51110	51110	ELP	50
51111	55	57	78	78	16	0.48	51111	51111	ELP	55
51112	60	62	85	85	17	0.62	51112	51112	ELP	60
51113	65	67	90	90	18	0.71	51113	51113	ELP	65
51114	70	72	95	95	18	0.77	51114	51114	ELP	70
51115	75	77	100	100	19	0.86	51115	51115	ELP	75
51116	80	82	105	105	19	0.90	51116	-	ELP	80
51117	85	87	110	110	19	0.93	51117	-	ELP	85
51118	90	92	120	120	22	1.41	51118	-	ELP	90
51120	100	102	135	135	25	2.06	51120	-	ELP	100
51122	110	112	145	145	25	2.25	51122	-	ELP	110
51124	120	122	155	155	25	2.43	51124	-	ELP	120
51126	130	132	170	170	30	3.62	51126	-	ELP	130
51128	140	142	178	180	31	4.56	51128	-	ELP	140
51130	150	152	188	190	31	4.81	51130	-	ELP	150
51132	160	162	198	200	31	4.92	51132	-	ELP	160
51134	170	172	213	215	34	6.53	51134	-	ELP	170
51136	180	183	222	225	34	7.67	51136	-	ELP	180
51138	190	193	237	240	37	8.95	51138	-	ELP	190
51140	200	203	247	250	37	9.35	51140	-	ELP	200
51144	220	223	267	270	37	10.20	51144	-	ELP	220
51148	240	243	297	300	45	16.60	51148	-	ELP	240
51152	260	263	317	320	45	17.90	51152	-	ELP	260
51156	280	283	347	350	53	26.90	51156	-	ELP	280
51160	300	304	376	380	62	38.60	51160	-	ELP	300
51164	320	324	396	400	63	41.70	51164	-	ELP	320
51168	340	344	416	420	64	44.80	51168	-	ELP	340
51172	360	364	436	440	65	48.10	51172	-	ELP	360
51176	380	384	456	460	65	50.71	51176	-	-	-
51180	400	404	476	480	65	52.91	51180	-	-	-
51184	420	424	495	500	65	55.70	51184	-	-	-
51188	440	444	535	540	80	90.60	51188	-	-	-
51192	460	464	555	560	80	94.00	51192	-	-	-
51196	480	484	575	580	80	97.90	51196	-	-	-
511/500	500	505	595	600	80	101.70	511/500	-	-	-