

PEER
“GRIP-IT”

Mounted Bearings...“a better grip than the Great White”



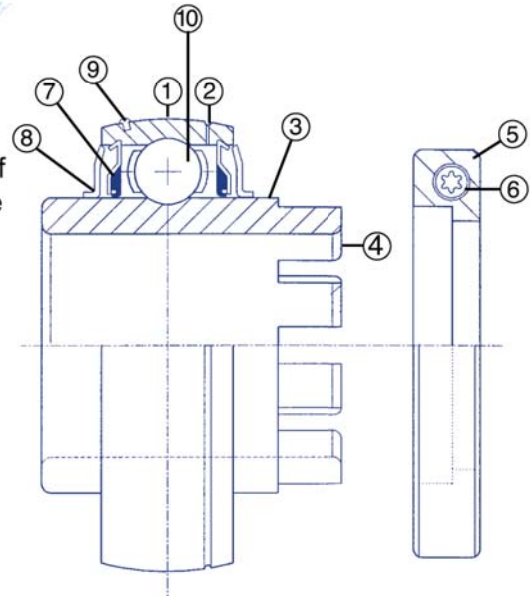
With 360 degrees of locking contact to eliminate vibration

GRIP-IT MEANS LONGER LASTING, QUIETER BEARING UNITS...

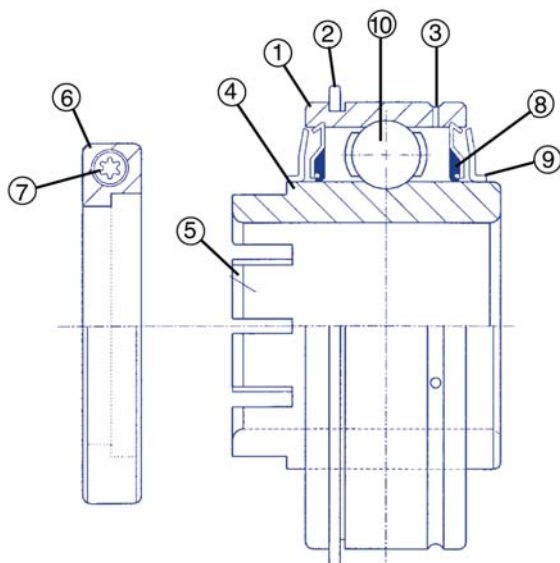
PEER's GR Series

GRIP-IT bearings are ideal for bi-directional applications and can replace both set screw locking and eccentric collar locking bearings. Available in full range of sizes, the new "GR" series self aligning bearings can be used in all standard cast iron, malleable and pressed steel housings making it a drop in replacement for your current bearing unit.

- 1 Through hardened steel spherical outer ring
- 2 Grease relubrication groove and oil holes
- 3 Through hardened steel wide inner ring
- 4 Special heat treated gripping "Fingers"
- 5 Concentric split locking collar
- 6 Torx® style socket head cap screw
- 7 Full contact metal shroud seals
- 8 Metal slingers
- 9 Anti-Rotation pin
- 10 Standard load capacity steel balls



PEER's GR Series



PEER's GER Series

PEER's GER Series

Replaces PEER'S popular SER series bearings. Cylindrical outer ring with snap ring makes this ideal for conveyor and printing roller applications. Also available with non contact "Z" shields for high speed, free spinning applications.

- 1 Through hardened steel spherical outer ring
- 2 Machined groove with steel snap ring
- 3 Grease relubrication groove and oil holes
- 4 Through hardened steel wide inner ring
- 5 Special heat treated gripping "Fingers"
- 6 Concentric split locking collar
- 7 Torx® style socket head cap screw
- 8 Full contact metal shroud seals
- 9 Metal slingers
- 10 Standard load capacity steel balls

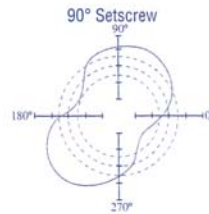
IMPORTANT MAINTENANCE AND REPLACEMENT SAVINGS

How GRIP-IT ball bearings do it:

Forget the old-fashioned mechanism that pushes the shaft against one side of the bearing ring. (Figure A). PEER's GRIP-IT mounted units are designed to produce 360 degrees of equalized locking contact. (Figure B). The shaft is centered concentrically in the bore of the bearing and always runs true. Shaft offset is eliminated and premature locking failure is minimized. Since locking design is a major factor in mounted bearing performance, GRIP-IT stands out as a major advantage.

- Shaft offset eliminated
- Vibration and noise significantly reduced
- Rotational balance remains constant
- GRIP-ITs are easily removed or repositioned. Since they do not mar or score the shaft, they are easier and less expensive to service.

True center line
Using PEER'S GR Series Bearing.



Offset using conventional set screw locking.

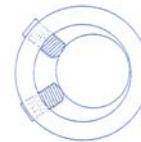


Figure A
Offset using set screws

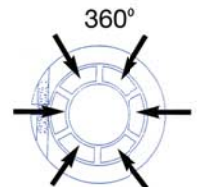


Figure B
True center line



Available in most standard, medium and light duty housings.

Interchange for PEER'S "GRIP-IT" Bearings

Available in a full range of popular bore sizes.

BEARING STYLE	BORE	PEER	SEALMASTER
 INSERT	1 in	GR205-16 GR205-16-ZSFF	2-1T 2-1TLO, 2-1TXLO
	25 mm	GR205-25mm GR205-25mm-ZSFF	5205TM 5205TML0, 5205TMXLO
 INSERT WITH SNAP RING	1 in	GER205-16 GER205-16-ZSFF	ER-16T ERX-16TLO, ERX-16TXLO
	25 mm	GER205-25mm GER205-25mm-ZSFF	ER-205TM ERX-205TML0, ERX-205TMXLO
 PILLOW BLOCK	1 in	GRP205-16	NP-16T
	25 mm	GRP205-25mm	NP205TM
 PILLOW BLOCK (LOW PROFILE)	1 in	GRLP205-16	NPL-16T
	25 mm	GRLP205-25mm	NPL205TM
 PILLOW BLOCK MEDIUM DUTY	1 in	GRPX05-16	MP-16T
	25 mm	GRPX05-25mm	MP205TM
 4 BOLT FLANGE	1 in	GRF205-16	SF-16T
	25 mm	GRF205-25mm	SF205TM
 2 BOLT FLANGE	1 in	GRFT205-16	SFT-16T TFT-16T
	25 mm	GRFT205-25mm	SFT205TM
 FLANGE CARTRIDGE	1 in	GRFC205-16	
	25 mm	GRFC205-25mm	
 TAKE UP	1 in	GRT205-16-17/32	ST-16T
	25 mm	GRT205-25mm-17/32	ST205TM
 CARTRIDGE	1 in	GRC205-16	
	25 mm	GRC205-25mm	
 HANGER	1 in	GRHA205-16	
	25 mm	GRHA205-25mm	
 TAP BASE	1 in	GRPAS205-16	TB-16T
	25 mm	GRPAS205-25mm	TB205TM
 3 BOLT FLANGE	1 in	GRFB205-16	FB-16T
	25 mm	GRFB205-25mm	FB205TM
 RUBBER CARTRIDGE UNITS	1 in	RCSM-16GR	SRC-16T
	25 mm	RCSM-25mmGR	SRC205TM

Interchange chart for reference only.



USA Headquarters

2200 Norman Drive
Waukegan, IL 50085
p (847) 578-1000 | f (847) 578-1200
e info@peerbearing.com
www.peerbearing.com