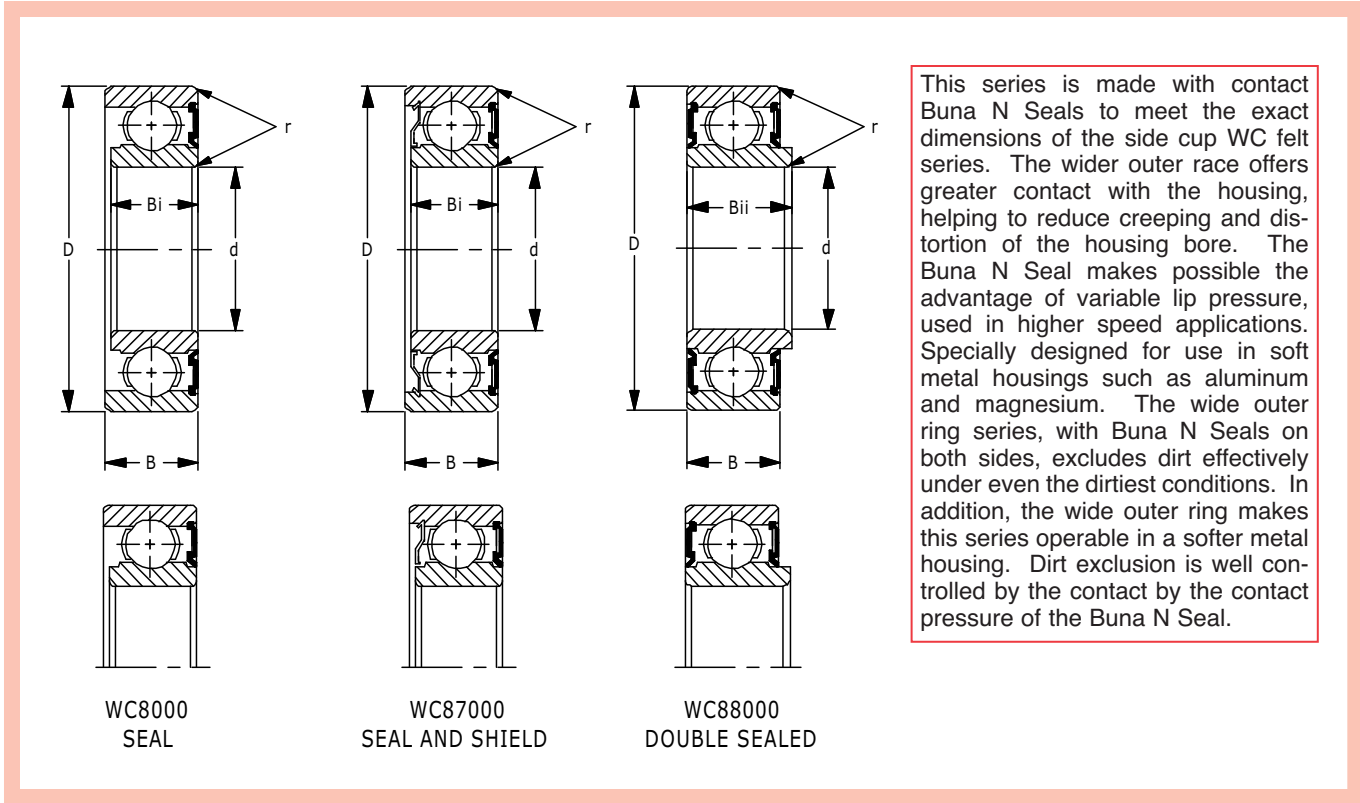


# WC8000, WC87000 & WC88000 SERIES



This series is made with contact Buna N Seals to meet the exact dimensions of the side cup WC felt series. The wider outer race offers greater contact with the housing, helping to reduce creeping and distortion of the housing bore. The Buna N Seal makes possible the advantage of variable lip pressure, used in higher speed applications. Specially designed for use in soft metal housings such as aluminum and magnesium. The wide outer ring series, with Buna N Seals on both sides, excludes dirt effectively under even the dirtiest conditions. In addition, the wide outer ring makes this series operable in a softer metal housing. Dirt exclusion is well controlled by the contact by the contact pressure of the Buna N Seal.

WC8000 SEAL

WC87000 SEAL AND SHIELD

WC88000 DOUBLE SEALED

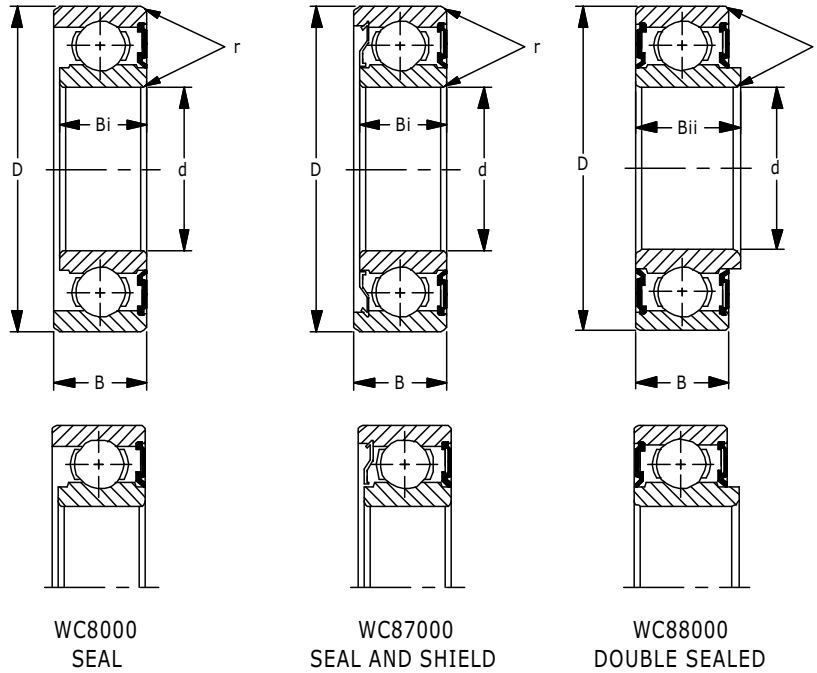
Units: Inches Metric

Part Number	Bore d	OD D	Outer Ring Width B	Inner Ring Width		Fillet radius r (min)	Basic Load Ratings lbf N		Weight lbs WC8000	Weight lbs Kg WC87000	Weight lbs WC88000
				Bi	Bii		Dynamic Cr	Static Cor			
WC8006 WC87006 WC88006	.2362 6	.9499 24	.4063 10.319	.3860 9.804	.4970 12.624	.012 .3	750 3,336	315 1,401	.060 .027	.060 .027	.060 .027
WC8007 WC87007 WC88007	.2756 7	.9449 24	.4063 10.319	.3860 9.804	.4970 12.624	.012 .3	900 4,003	355 1,579	.051 .023	.051 .023	.051 .023
WC8008 WC87008 WC88008	.3150 8	.9449 24	.4063 10.319	.3860 9.804	.4970 12.624	.012 .3	900 4,003	355 1,579	.050 .023	.050 .023	.050 .023
WC8009 WC87009 WC88009	.3543 9	1.1811 30	.5000 12.700	.4800 12.192	.6457 16.401	.025 .6	1150 5,115	540 2,402	.105 .048	.105 .048	.110 .050
WC8011 WC87011 WC88011	.4331 11	1.2598 32	.5000 12.700	.4800 12.192	.6063 15.400	.025 .6	1370 6,094	615 1,401	.110 .050	.110 .050	.100 .045
WC8013 WC87013 WC88013	.5118 13	1.2598 32	.5000 12.700	.4800 12.192	.6063 15.400	.025 .6	1370 6,094	615 1,401	.100 .045	.100 .045	.100 .045
WC8014 WC87014 WC88014	.5512 14	1.3780 35	.5000 12.700	.4800 12.192	.5669 14.399	.025 .6	1740 7,740	805 3,581	.110 .050	.110 .050	.125 .057
WC8016 WC87016 WC88016	.6299 16	1.3780 35	.5000 12.700	.4800 12.192	.5669 14.399	.025 .6	1740 7,740	805 3,581	.114 .052	.114 .052	.120 .054
WC8026 WC87026 WC88026	1.0236 26	2.0472 52	.6250 15.875	.6000 15.240	.6594 16.749	.040 1.0	3150 14,011	1770 7,873	.289 .131	.289 .131	.289 .131
WC8035 WC87035 WC88035	.1969 5	.7480 19	.4063 10.319	.3860 9.804	.4970 12.624	.012 .3	525 2,335	199 885	.026 .012	.026 .012	.030 .014
WC8036 WC87036 WC88036	.2362 6	.7480 19	.4063 10.319	.3860 9.804	.4970 12.624	.012 .3	525 2,335	199 885	.027 .013	.027 .013	.030 .014
WC8037 WC87037 WC88037	.2756 7	.8661 22	.4063 10.319	.3860 9.804	.4970 12.624	.012 .3	750 3,336	315 1,401	.043 .020	.043 .020	.043 .028
WC8038 WC87038 WC88038	.3150 8	.8661 22	.4063 10.319	.3860 9.804	.4970 12.624	.012 .3	750 3,336	315 1,401	.040 .018	.040 .018	.040 .018
WC8039 WC87039 WC88039	.3543 9	1.0236 26	.4063 10.319	.3860 9.804	.4970 12.624	.025 .6	1030 4,581	440 1,959	.06 .027	.06 .027	.06 .027
WC8500 WC87500 WC88500	.3937 10	1.1811 30	.5000 12.700	.4800 12.192	.6457 16.401	.025 .6	1150 5,150	540 2,402	.09 .041	.09 .041	.09 .041

\*Maximum fillet which corner radius of bearing will clear.



# WC8000, WC87000 & WC88000 SERIES (continued)



WC8000  
SEAL

WC87000  
SEAL AND SHIELD

WC88000  
DOUBLE SEALED

Units: Inches Metric

Part Number	Bore d	OD D	Outer Ring Width B	Inner Ring Width		Fillet radius r (min)	Basic Load Ratings lbf N		Weight lbs WC8000	Weight lbs WC87000	Weight lbs WC88000
				Bi	Bii		Dynamic Cr	Static Cor			
WC8501 WC87501 WC88501	.4724 12	1.2598 32	.5000 12.700	.4800 12.192	.6063 15.400	.025 .6	1370 6,094	615 2,736	.100 .045	.100 .045	.100 .045
WC8502 WC87502 WC88502	.5906 15	1.3780 35	.5000 12.700	.4800 12.192	.5669 14.399	.025 .6	1740 7,740	805 3,581	.120 .054	.120 .054	.119 .054
WC8503 WC87503 WC88503	.6693 17	1.5748 40	.5625 14.288	.5380 13.665	.6536 16.601	.025 .6	2160 9,608	1030 4,851	.170 .077	.170 .077	.170 .077
WC8504 WC87504 WC88504	.7874 20	1.8504 47	.6250 15.875	.6000 15.240	.6988 17.750	.040 1.0	2890 12,855	1500 6,672	.260 .118	.260 .118	.259 .117
WC8505 WC87505 WC88505	.9843 25	2.0472 52	.6250 15.875	.6000 15.240	.6594 16.749	.040 1.0	3150 14,011	1770 7,873	.304 .138	.304 .138	.304 .138
WC8506 WC87506 WC88506	1.1811 30	2.4409 62	.7874 20.000	.7480 19.000	.9449 24.000	.040 1.0	4400 19,571	2540 11,298	.543 .246	.543 .246	.523 .237
WC8507 WC87507 WC88507	1.3780 35	2.8346 72	.8268 21.000	.7874 20.000	.9843 25.000	.040 1.0	5750 25,576	3450 15,346	.765 .347	.765 .347	.749 .340
WC8508 WC87508 WC88508	1.5748 40	3.1496 80	.9449 24.000	.9449 24.000	1.0630 27.000	.040 1.0	6550 29,134	4000 17,792	1.18 .535	1.18 .535	1.180 .535
WC8509 WC87509 WC88509	1.7717 45	3.3465 85	.9449 24.000	.9449 24.000	1.0630 27.000	.040 1.0	7350 32,693	4600 20,461	1.220 .553	1.220 .553	1.220 .553
WC8510 WC87510 WC88510	1.9685 50	3.5433 90	1.0236 26.000	1.0236 26.000	1.1811 30.000	.040 1.0	7900 35,139	5200 23,130	1.260 .572	1.260 .572	1.300 .590
WC8511 WC87511 WC88511	2.1654 55	3.9370 100	1.0630 27.000	1.0630 27.000	1.2205 31.000	.060 1.5	9750 43,358	6550 29,134	1.630 .739	1.630 .739	1.660 .753

\*Maximum fillet which corner radius of bearing will clear.