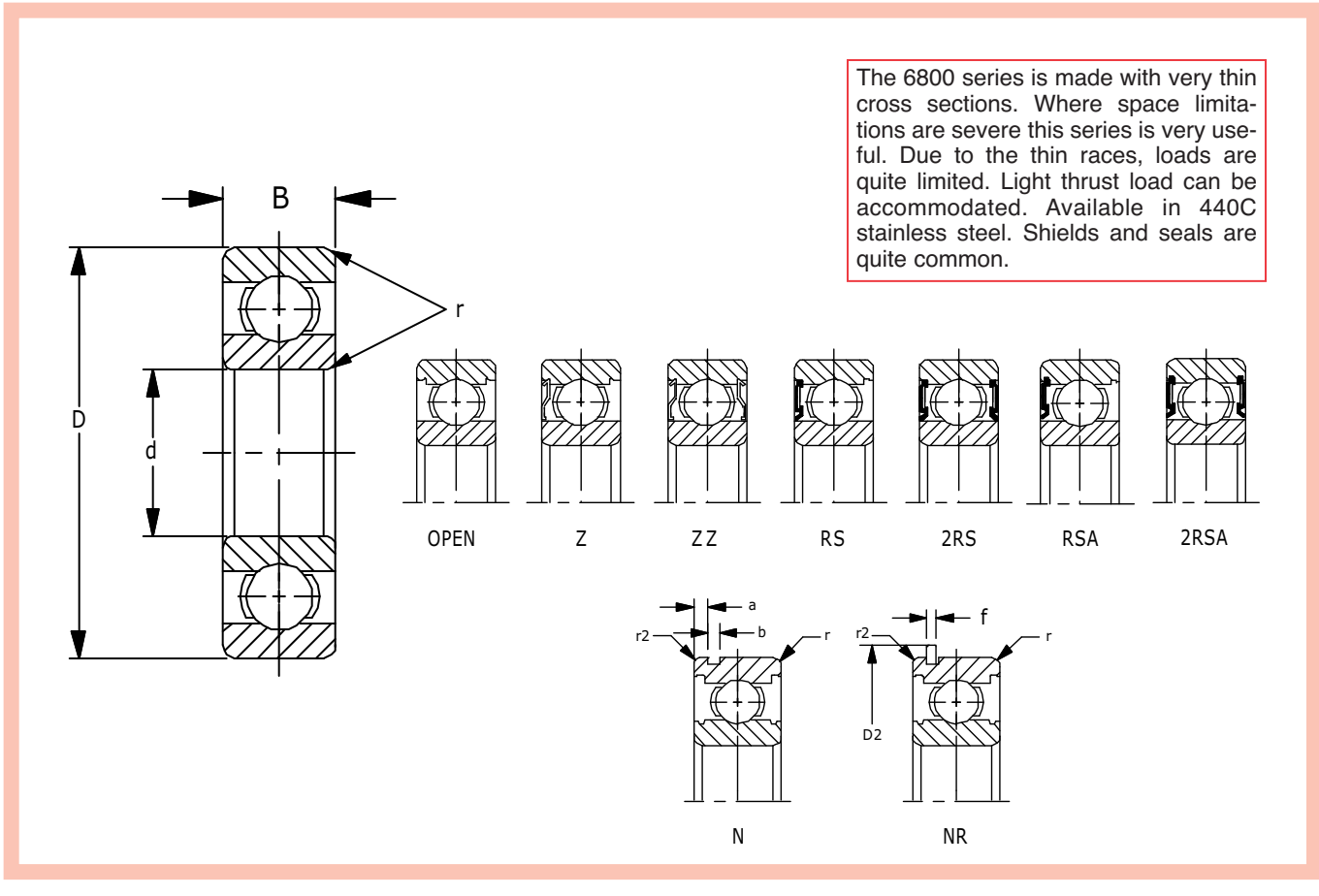


6800 SERIES



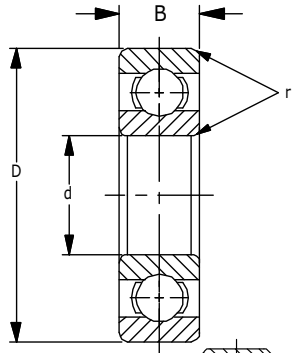
Units: Inches
Metric

Part Number	Bore d	Tolerance +.0000 to minus	OD D	Tolerance +.0000 to minus	Width B	Tolerance +.0000 to minus	* fillet radii		snap ring dimensions		snap ring groove dimensions		Basic Load Ratings lbf N		Weight lb Kg	Limiting speed of Open Bearing (rpm)	
							r	r2	D2 Max	f Max	a Max	b Min	Dynamic Cr	Static Cor		oil	grease
6800	.3937	.0003	.7480	.0004	.1969	.0047	.012						410	208	.011	38,000	32,000
	10	.008	19	.009	5	.120	.3						1,830	925	.005		
6801	.4724	.0003	.8268	.0004	.1969	.0047	.012						432	233	.011	35,000	29,000
	12	.008	21	.009	5	.120	.3						1,920	1,040	.005		
6802	.5906	.0003	.9449	.0004	.1969	.0047	.012						466	282	.020	31,000	26,000
	15	.008	24	.009	5	.120	.3						2,080	1,254	.009		
6803	.6693	.0003	1.0236	.0004	.1969	.0047	.012						591	353	.020	28,000	24,000
	17	.008	26	.009	5	.120	.3						2,630	1,570	.009		
6804	.7874	.0004	1.2598	.0005	.2756	.0047	.012	.012	1.370	.033	.051	.037	900	554	.040	25,000	21,000
	20	.010	32	.011	7	.120	.3	.3	34.8	.85	1.3	.95	4,000	2,464	.018		
6805	.9843	.0004	1.4567	.0005	.2756	.0047	.012	.012	1.567	.033	.051	.037	1012	708	.051	21,000	18,000
	25	.010	37	.011	7	.120	.3	.3	39.8	.85	1.3	.95	4,500	3,150	.023		
6806	1.1811	.0004	1.6535	.0005	.2756	.0047	.012	.012	1.764	.033	.051	.037	1,060	821	.051	18,000	15,000
	30	.010	42	.011	7	.120	.3	.3	44.8	.85	1.3	.95	4,700	3,650	.023		
6807	1.3780	.0005	1.8504	.0005	.2756	.0047	.012	.012	1.961	.033	.051	.037	1,100	922	.060	16,000	13,000
	35	.012	47	.011	7	.120	.3	.3	49.8	.85	1.3	.95	4,900	4,100	.027		
6808	1.5748	.0005	2.0472	.0005	.2756	.0047	.012	.012	2.157	.033	.051	.037	1,140	990	.071	14,000	12,000
	40	.012	52	.013	7	.120	.3	.3	54.8	.85	1.3	.95	5,100	4,400	.032		
6809	1.7717	.0005	2.2835	.0005	.2756	.0047	.012	.012	2.394	.033	.051	.037	1,203	1,181	.079	12,000	11,000
	45	.012	58	.013	7	.120	.3	.3	60.8	.85	1.3	.95	5,400	5,300	.036		
6810	1.9685	.0005	2.5591	.0005	.2756	.0047	.012	.012	2.669	.033	.051	.037	1,480	1,400	.110	11,000	9,600
	50	.012	65	.013	7	.120	.3	.3	67.8	.85	1.3	.95	6,600	6,200	.050		

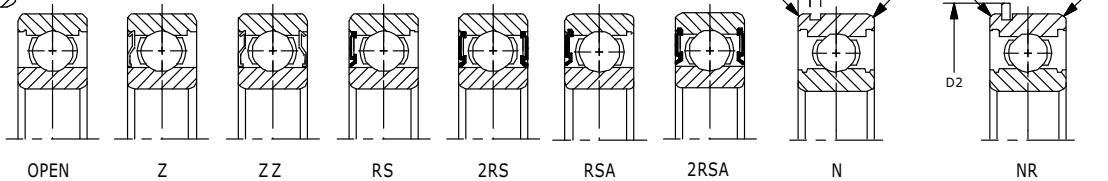
*Maximum fillet which corner radius of bearing will clear.



6800 SERIES (continued)



The 6800 series is made with very thin cross sections. Where space limitations are severe this series is very useful. Due to the thin races, loads are quite limited. Light thrust load can be accommodated. Available in 440C stainless steel. Shields and seals are quite common.



Units: Inches
Metric

Part Number	Bore d	Tolerance +.0000 to minus	OD D	Tolerance +.0000 to minus	Width B	Tolerance +.0000 to minus	* fillet radii		snap ring dimensions		snap ring groove dimensions		Basic Load Ratings		Weight lb Kg	Limiting speed of Open Bearing (rpm)	
							r	r ₂	D ₂ Max	f Max	a Max	b Min	Dynamic Cr	Static Cor		oil	grease
6811	2.1654	.0006	2.8346	.0005	.3543	.0059	.012	.012	2.945	.033	.067	.037	1,980	1,902	.181	10,000	8,700
	55	.015	72	.013	9	.150	.3	.3	74.8	.85	1.7	.95	8,800	8,500	.082	9,400	8,000
6812	2.3622	.0006	3.0709	.0005	.3937	.0059	.012	.012	3.256	.044	.067	.051	2,587	2,460	.220	9,400	8,000
	60	.015	78	.013	10	.150	.3	.3	82.7	1.12	1.7	1.3	11,500	10,900	.180	8,700	7,400
6813	2.5591	.0006	3.3465	.0006	.3937	.0059	.024	.020	3.520	.044	.067	.051	2,680	2,722	.280	8,700	7,400
	65	.015	85	.015	10	.150	.6	.5	89.4	1.12	1.7	1.3	12,000	12,100	.127	8,100	6,900
6814	2.7559	.0006	3.5433	.0006	.3937	.0059	.024	.020	3.717	.044	.067	.051	2,710	2,860	.291	8,100	6,900
	70	.015	90	.015	10	.150	.6	.5	94.4	1.12	1.7	1.3	12,100	12,700	.132		
6815	2.9528	.0006	3.7402	.0006	.3937	.0059	.024	.020	3.913	.044	.067	.051	2,820	3,127	.320	7,600	6,400
	75	.015	95	.015	10	.150	.6	.5	99.4	1.12	1.7	1.3	12,500	13,900	.145		
6816	3.1496	.0006	3.9370	.0006	.3937	.0059	.024	.020	4.110	.044	.067	.051	2,857	3,262	.340	7,100	6,000
	80	.015	100	.015	10	.150	.6	.5	104.4	1.12	1.7	1.3	12,700	14,500	.154		
6817	3.3465	.0008	4.3307	.0006	.5118	.0079	.039	.020	4.555	.044	.083	.051	4,200	4,500	.560	6,700	5,700
	85	.020	110	.015	13	.200	1.0	.5	115.7	1.12	2.1	1.3	18,700	20,000	.254		
6818	3.5433	.0008	4.5276	.0006	.5118	.0079	.039	.020	4.752	.044	.083	.051	4,270	4,725	.591	6,300	5,400
	90	.020	115	.015	13	.200	1.0	.5	120.7	1.12	2.1	1.3	19,000	21,000	.268		
6819	3.7402	.0008	4.7244	.0006	.5118	.0079	.039	.020	4.949	.044	.083	.051	4,330	4,950	.631	5,900	5,000
	95	.020	120	.015	13	.200	1.0	.5	125.7	1.12	2.1	1.3	19,200	22,000	.286		
6820	3.9370	.0008	4.9213	.0007	.5118	.0079	.039	.020	5.146	.044	.083	.051	4,400	5,175	.659	5,600	4,800
	100	.020	125	.018	13	.200	1.0	.5	130.7	1.12	2.1	1.3	19,500	23,000	.299		
6822	4.3307	.0008	5.5118	.0007	.6299	.0079	.039	.020	5.736	.067	.098	.075	6,322	7,312	1.096	5,100	4,300
	110	.020	140	.018	16	.200	1.0	.5	145.7	1.7	2.5	1.9	28,100	32,500	.497		
6824	4.7244	.0008	5.9055	.0007	.6299	.0079	.039	.020	6.130	.067	.098	.075	6,502	7,987	1.184	4,700	4,000
	120	.020	150	.018	16	.200	1.0	.5	155.7	1.7	2.5	1.9	28,900	35,500	.537		
6826	5.1181	.0010	6.4961	.0010	.7087	.0098	.043	.020	6.752	.067	.130	.075	8,325	9,900	1.671	4,300	3,700
	130	.025	165	.025	18	.250	1.1	.5	171.5	1.7	3.3	1.9	37,000	44,000	.758		
6828	5.5118	.0010	6.8898	.0010	.7087	.0098	.043	.020	7.146	.067	.130	.075	8,662	10,800	1.834	4,000	3,400
	140	.025	175	.025	18	.250	1.1	.5	181.5	1.7	3.3	1.9	38,500	48,000	.832		
6830	5.9055	.0010	7.4803	.0012	.7874	.0098	.043	.020	7.736	.067	.130	.075	10,700	13,162	2.535	3,700	3,100
	150	.025	190	.030	20	.250	1.1	.5	196.5	1.7	3.3	1.9	47,500	58,500	1.150		
6832	6.2992	.0010	7.8740	.0012	.7874	.0098	.043	.020	8.130	.067	.130	.075	10,900	13,725	2.712	3,400	2,900
	160	.025	200	.030	20	.250	1.1	.5	206.5	1.7	3.3	1.9	48,500	61,000	1.230		
6834	6.6929	.0010	8.4646	.0012	.8661	.0098	.043						13,500	16,875	4.109	3,200	2,700
	170	.025	215	.030	22	.250	1.1						60,500	75,000	1.864		
6836	7.0866	.0010	8.8583	.0012	.8661	.0098	.043						13,600	17,662	4.381	3,000	2,600
	180	.025	225	.030	22	.250	1.1						60,498	78,500	1.987		

*Maximum fillet which corner radius of bearing will clear.