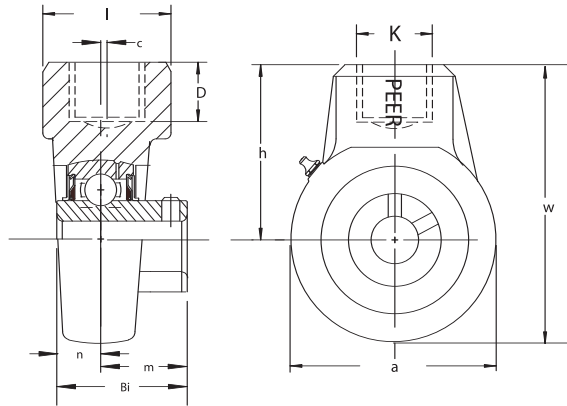
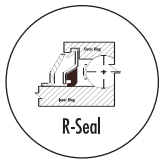




Hanger Bearing Units

UCHA200 Series Set Screw Locking



- Standard duty, high-grade cast iron
- Wide inner ring bearing
- Relubricatable unit with anti-rotation pin
- Standard seal: R-Seal

Triple lip seal and other options: See page 83

Unit No.	Shaft Diam.	Dimensions ⁱⁿ / _{mm}										Bearing No.	Housing No.				
		a	w	c	h	l	D	K	Bi	n	m						
UCHA201 -8	1/2																
UCHA201 -12mm	12mm																
UCHA202 -9	9/16																
UCHA202 -10	5/8	2 17/32	3 25/32	0	2 33/64	1 9/16	3/4	NPSM-3/4	1.220	0.500	0.72	UC201 -8	HA-204-H				
UCHA202 -15mm	15mm	64.3	96.0	0	63.9	39.7	19.1		31.00	12.70	18.30	UC201 -12mm					
UCHA203 -11	11/16											UC202 -9					
UCHA203 -17mm	17mm											UC202 -10					
												UC202 -15mm					
UCHA204 -12	3/4											UC203 -11	HA-204-H				
UCHA204 -13	13/16	2 17/32	3 25/32	0	2 33/64	1 9/16	3/4	NPSM-3/4	1.220	0.500	0.72	UC203 -17mm					
UCHA204 -20mm	20mm	64.3	96.0	0	63.9	39.7	19.1		31.00	12.70	18.30	UC204 -12					
												UC204 -13					
												UC204 -20mm					
UCHA205 -13	13/16											UC205 -13	HA-205-H				
UCHA205 -14	7/8	3 1/16	4 1/16	0	2 33/64	1 9/16	3/4	NPSM-3/4	1.339	0.563	0.78	UC205 -13					
UCHA205 -15	15/16	77.8	103.2	0	63.9	39.7	19.1		34.00	14.30	19.70	UC205 -14					
UCHA205 -16	1											UC205 -15					
UCHA205 -25mm	25mm											UC205 -16					
UCHA206 -17	1 1/16											UC206 -17	HA-206-H				
UCHA206 -18	1 1/8	3 1/16	4 1/16	0	2 33/64	1 9/16	3/4	NPSM-3/4	1.500	0.626	0.87	UC206 -17					
UCHA206 -19	1 3/16	77.8	103.2	0	63.9	39.7	19.1		38.10	15.90	22.20	UC206 -18					
UCHA206 -20	1 1/4(s)											UC206 -19					
UCHA206 -30mm	30mm											UC206 -20					
UCHA207 -20	1 1/4											UC207 -20	HA-207-H				
UCHA207 -21	1 5/16	3 5/8	4 9/16	0	2 3/4	1 9/16	3/4	NPSM-3/4	1.689	0.689	1.00	UC207 -20					
UCHA207 -22	1 3/8	92.1	115.9	0	69.9	39.7	19.1		42.90	17.50	25.40	UC207 -21					
UCHA207 -23	1 7/16											UC207 -22					
UCHA207 -35mm	35mm											UC207 -23					
UCHA208 -24	1 1/2											UC207 -35mm	HA-208-H				
UCHA208 -25	1 9/16	3 25/32	4 3/4	5/64	2 7/8	1 9/16	3/4	NPSM-3/4	1.937	0.748	1.19	UC208 -24					
UCHA208 -40mm	40mm	96.0	120.7	2.0	73.0	39.7	19.1		49.20	19.00	30.20	UC208 -25					
												UC208 -40mm					
UCHA209 -26	1 5/8											UC209 -26	HA-209-H				
UCHA209 -27	1 11/16	4 1/4	5 11/32	13/64	3 15/64	1 7/8	13/16	NPSM-1	1.937	0.748	1.19	UC209 -26					
UCHA209 -28	1 3/4	108.0	135.7	5.2	82.2	47.6	20.6		49.20	19.00	30.20	UC209 -27					
UCHA209 -45mm	45mm											UC209 -28					
												UC209 -45mm					
UCHA210 -29	1 13/16											UC210 -29	HA-210-H				
UCHA210 -30	1 7/8	4 21/32	5 19/32	13/64	3 17/64	1 7/8	13/16	NPSM-1	2.031	0.748	1.28	UC210 -29					
UCHA210 -31	1 15/16	118.3	142.1	5.2	82.9	47.6	20.6		51.60	19.00	32.60	UC210 -30					
UCHA210 -32	2(s)											UC210 -31					
UCHA210 -50mm	50mm											UC210 -32					
UCHA211 -32	2											UC210 -50mm	HA-211-H				
UCHA211 -33	2 1/16	4 31/32	5 29/32	9/32	3 27/32	2 3/8	1	NPSM-1 1/4	2.189	0.874	1.31	UC211 -32					
UCHA211 -34	2 1/8	126.0	150.0	7.1	86.9	60.3	25.4		55.60	22.20	33.40	UC211 -33					
UCHA211 -35	2 3/16											UC211 -34					
UCHA211 -55mm	55mm											UC211 -35					
UCHA212 -36	2 1/4											UC211 -55mm	HA-212-H				
UCHA212 -37	2 5/16	5 19/32	6 13/16	23/64	4 1/64	2 3/8	1 3/32	NPSM-1 1/4	2.563	1.000	1.56	UC212 -36					
UCHA212 -38	2 3/8	142.1	173.0	9.1	102.0	60.3	27.8		65.10	25.40	39.70	UC212 -37					
UCHA212 -39	2 7/16											UC212 -38					
UCHA212 -60mm	60mm											UC212 -39					
UCHA213 -40	2 1/2											UC212 -60mm	HA-213-H				
UCHA213 -41	2 9/16	6 17/32	7 7/8	3/8	4 39/64	2 3/4	1 1/4	NPSM-1 1/2	2.563	1.000	1.56	UC213 -40					
UCHA213 -65mm	65mm	165.9	200.0	9.5	117.1	69.9	31.8		65.10	25.40	39.70	UC213 -41					
												UC213 -65mm					
UCHA214 -42	2 5/8											UC214 -42	HA-214-H				
UCHA214 -43	2 11/16	6 17/32	7 7/8	3/8	4 39/64	2 3/4	1 1/4	NPSM-1 1/2	2.937	1.189	1.75	UC214 -42					
UCHA214 -44	2 3/4	165.9	200.0	9.5	117.1	69.9	31.8		74.60	30.20	44.40	UC214 -43					
UCHA214 -70mm	70mm											UC214 -44					
												UC214 -70mm					
UCHA215 -45	2 13/16											UC215 -45	HA-215-H				
UCHA215 -46	2 7/8	6 17/32	7 7/8	3/8	4 39/64	2 3/4	1 1/4	NPSM-1 1/2	3.063	1.311	1.75	UC215 -45					
UCHA215 -47	2 15/16	165.9	200.0	9.5	117.1	69.9	31.8		77.80	33.30	44.50	UC215 -46					
UCHA215 -48	3											UC215 -47					
UCHA215 -75mm	75mm											UC215 -48					

1. Straight pipe thread is standard. Special threading available upon request.
2. HA series housings can also be combined with the following insert bearings: HC, FH, FHS or GR Example: HCHA205-16 or FHHA205-16.

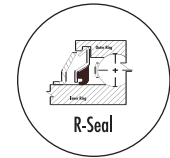
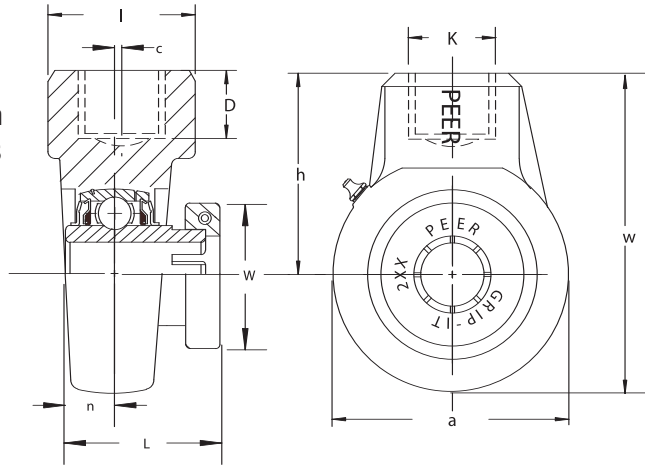
Hanger Bearing Units

GRHA200 Series GRIP-IT 360 Degree Locking



- Standard duty, high-grade cast iron
- Wide inner ring bearing
- Relubricatable unit with anti-rotation pin
- Black oxide plated inner and outer rings
- Standard seal: R-Seal

Triple lip seal and other options: See page 83



Unit No.	Dimensions in mm											Bearing No.	Housing No.
	Shaft Diam.	a	w	c	h	l	D	K	L	n	W		
GRHA204 -12 GRHA204 -13 GRHA204 -20mm	3/4 13/16 20mm	2 17/32 64.3	3 25/32 96.0	0 0	2 33/64 63.9	1 9/16 39.7	3/4 19.1	NPSM-3/4	1.374 34.90	0.500 12.70	1.76 44.60	GR204 -12 GR204 -13 GR204 -20mm	HA-204-H
GRHA205 -13 GRHA205 -14 GRHA205 -15 GRHA205 -16 GRHA205 -25mm	13/16 7/8 15/16 1 25mm	3 1/16 77.8	4 1/16 103.2	0 0	2 33/64 63.9	1 9/16 39.7	3/4 19.1	NPSM-3/4	1.512 38.40	0.563 14.30	1.94 49.20	GR205 -13 GR205 -14 GR205 -15 GR205 -16 GR205 -25mm	HA-205-H
GRHA206 -17 GRHA206 -18 GRHA206 -19 GRHA206 -20 GRHA206 -30mm	1 1/16 1 1/8 1 3/16 1 1/4(s) 30mm	3 1/16 77.8	4 1/16 103.2	0 0	2 33/64 63.9	1 9/16 39.7	3/4 19.1	NPSM-3/4	1.650 41.90	0.626 15.90	2.19 55.50	GR206 -17 GR206 -18 GR206 -19 GR206 -20 GR206 -30mm	HA-206-H
GRHA207 -20 GRHA207 -21 GRHA207 -22 GRHA207 -23 GRHA207 -35mm	1 1/4 1 5/16 1 3/8 1 7/16 35mm	3 5/8 92.1	4 9/16 115.9	0 0	2 3/4 69.9	1 9/16 39.7	3/4 19.1	NPSM-3/4	1.870 47.50	0.689 17.50	2.57 65.40	GR207 -20 GR207 -21 GR207 -22 GR207 -23 GR207 -35mm	HA-207-H
GRHA208 -24 GRHA208 -25 GRHA208 -40mm	1 1/2 1 9/16 40mm	3 25/32 96.0	4 3/4 120.7	5/64 2.0	2 7/8 73.0	1 9/16 39.7	3/4 19.1	NPSM-3/4	2.114 53.70	0.748 19.00	2.69 68.40	GR208 -24 GR208 -25 GR208 -40mm	HA-208-H
GRHA209 -26 GRHA209 -27 GRHA209 -28 GRHA209 -45mm	1 5/8 1 11/16 1 3/4 45mm	4 1/4 108.0	5 11/32 135.7	13/64 5.2	3 15/64 82.2	1 7/8 47.6	13/16 20.6	NPSM-1	2.122 53.90	0.748 19.00	2.93 74.50	GR209 -26 GR209 -27 GR209 -28 GR209 -45mm	HA-209-H
GRHA210 -29 GRHA210 -30 GRHA210 -31 GRHA210 -32 GRHA210 -50mm	1 13/16 1 7/8 1 15/16 2(s) 50mm	4 21/32 118.3	5 19/32 142.1	13/64 5.2	3 17/64 82.9	1 7/8 47.6	13/16 20.6	NPSM-1	2.268 57.60	0.748 19.00	3.39 86.00	GR210 -29 GR210 -30 GR210 -31 GR210 -32 GR210 -50mm	HA-210-H
GRHA211 -32 GRHA211 -33 GRHA211 -34 GRHA211 -35 GRHA211 -55mm	2 2 1/16 2 1/8 2 3/16 55mm	4 31/32 126.0	5 29/32 150.0	9/32 7.1	3 27/32 86.9	2 3/8 60.3	1 25.4	NPSM-1 1/4	2.429 61.70	0.874 22.20	3.50 89.00	GR211 -32 GR211 -33 GR211 -34 GR211 -35 GR211 -55mm	HA-211-H
GRHA212 -36 GRHA212 -37 GRHA212 -38 GRHA212 -39 GRHA212 -60mm	2 1/4 2 5/16 2 3/8 2 7/16 60mm	5 19/32 142.1	6 13/16 173.0	23/64 9.1	4 1/64 102.0	2 3/8 60.3	1 3/32 27.8	NPSM-1 1/4	2.846 72.30	1.000 25.40	4.06 103.00	GR212 -36 GR212 -37 GR212 -38 GR212 -39 GR212 -60mm	HA-212-H
GRHA213 -40 GRHA213 -41 GRHA213 -65mm	2 1/2 2 9/16 65mm	6 17/32 165.9	7 7/8 200.0	3/8 9.5	4 39/64 117.1	2 3/4 69.9	1 1/4 31.8	NPSM-1 1/2	2.846 72.30	1.000 25.40	4.11 104.50	GR213 -40 GR213 -41 GR213 -65mm	HA-213-H
GRHA214 -42 GRHA214 -43 GRHA214 -44 GRHA214 -70mm	2 5/8 2 11/16 2 3/4 70mm	6 17/32 165.9	7 7/8 200.0	3/8 9.5	4 39/64 117.1	2 3/4 69.9	1 1/4 31.8	NPSM-1 1/2	3.220 81.80	1.189 30.20	4.39 111.50	GR214 -42 GR214 -43 GR214 -44 GR214 -70mm	HA-214-H
GRHA215 -45 GRHA215 -46 GRHA215 -47 GRHA215 -48 GRHA215 -75mm	2 13/16 2 7/8 2 15/16 3 75mm	6 17/32 165.9	7 7/8 200.0	3/8 9.5	4 39/64 117.1	2 3/4 69.9	1 1/4 31.8	NPSM-1 1/2	3.358 85.30	1.311 33.30	4.65 118.00	GR215 -45 GR215 -46 GR215 -47 GR215 -48 GR215 -75mm	HA-215-H

Straight pipe thread is standard. Special threading available upon request.

Standard Mounted Units