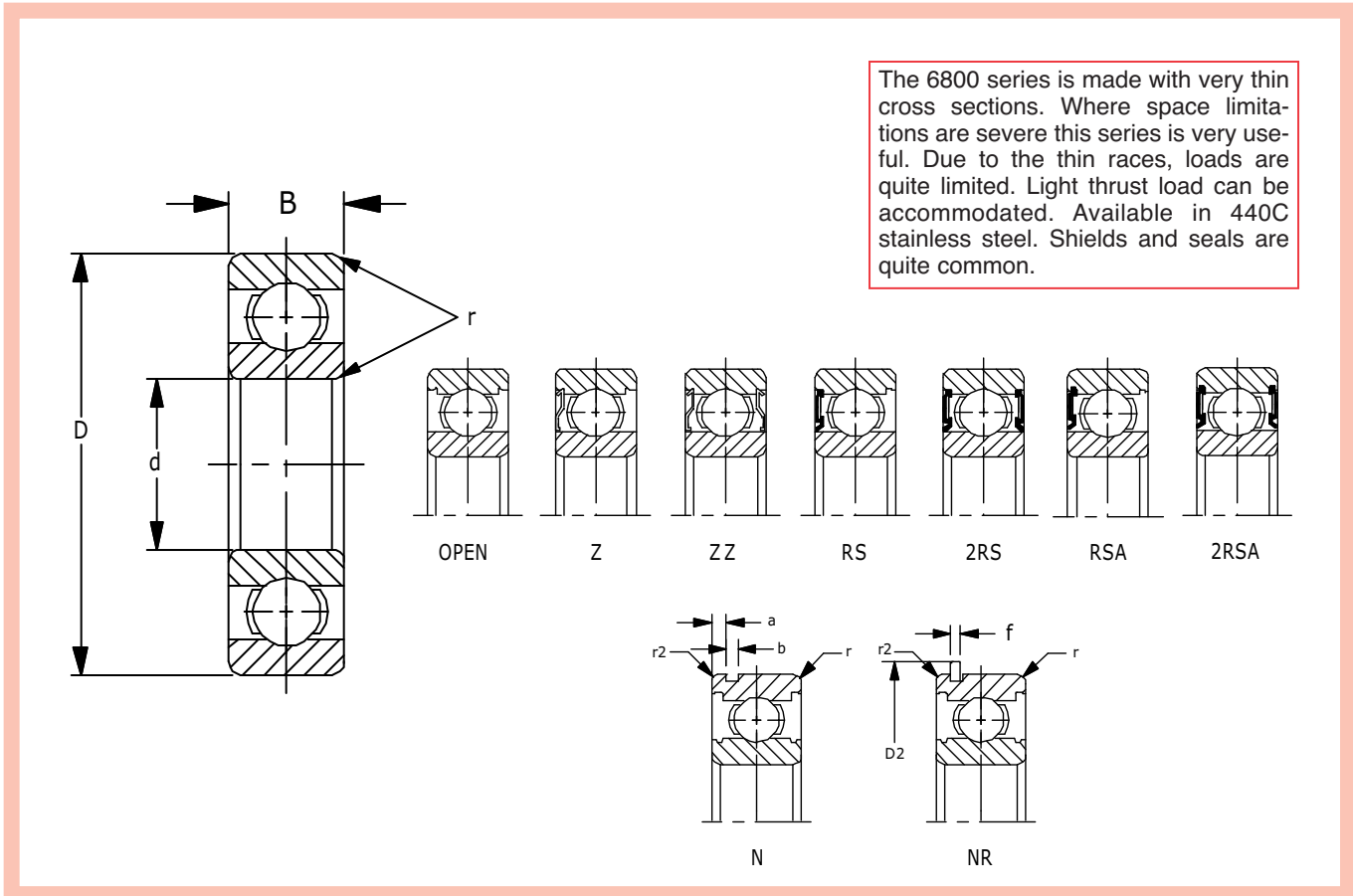


6800 SERIES



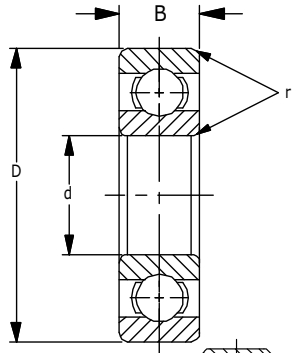
Units: Inches
Metric

Part Number	Bore d	Tolerance +.0000 to minus	OD D	Tolerance +.0000 to minus	Width B	Tolerance +.0000 to minus	* fillet radii		snap ring dimensions		snap ring groove dimensions		Basic Load Ratings lbf N		Weight lb Kg	Limiting speed of Open Bearing (rpm)	
							r	r2	D2 Max	f Max	a Max	b Min	Dynamic Cr	Static Cor		oil	grease
6800	.3937	.0003	.7480	.0004	.1969	.0047	.012						410	208	.011	38,000	32,000
	10	.008	19	.009	5	.120	.3						1,830	925	.005		
6801	.4724	.0003	.8268	.0004	.1969	.0047	.012						432	233	.011	35,000	29,000
	12	.008	21	.009	5	.120	.3						1,920	1,040	.005		
6802	.5906	.0003	.9449	.0004	.1969	.0047	.012						466	282	.020	31,000	26,000
	15	.008	24	.009	5	.120	.3						2,080	1,254	.009		
6803	.6693	.0003	1.0236	.0004	.1969	.0047	.012						591	353	.020	28,000	24,000
	17	.008	26	.009	5	.120	.3						2,630	1,570	.009		
6804	.7874	.0004	1.2598	.0005	.2756	.0047	.012	.012	1.370	.033	.051	.037	900	554	.040	25,000	21,000
	20	.010	32	.011	7	.120	.3	.3	34.8	.85	1.3	.95	4,000	2,464	.018		
6805	.9843	.0004	1.4567	.0005	.2756	.0047	.012	.012	1.567	.033	.051	.037	1012	708	.051	21,000	18,000
	25	.010	37	.011	7	.120	.3	.3	39.8	.85	1.3	.95	4,500	3,150	.023		
6806	1.1811	.0004	1.6535	.0005	.2756	.0047	.012	.012	1.764	.033	.051	.037	1,060	821	.051	18,000	15,000
	30	.010	42	.011	7	.120	.3	.3	44.8	.85	1.3	.95	4,700	3,650	.023		
6807	1.3780	.0005	1.8504	.0005	.2756	.0047	.012	.012	1.961	.033	.051	.037	1,100	922	.060	16,000	13,000
	35	.012	47	.011	7	.120	.3	.3	49.8	.85	1.3	.95	4,900	4,100	.027		
6808	1.5748	.0005	2.0472	.0005	.2756	.0047	.012	.012	2.157	.033	.051	.037	1,140	990	.071	14,000	12,000
	40	.012	52	.013	7	.120	.3	.3	54.8	.85	1.3	.95	5,100	4,400	.032		
6809	1.7717	.0005	2.2835	.0005	.2756	.0047	.012	.012	2.394	.033	.051	.037	1,203	1,181	.079	12,000	11,000
	45	.012	58	.013	7	.120	.3	.3	60.8	.85	1.3	.95	5,400	5,300	.036		
6810	1.9685	.0005	2.5591	.0005	.2756	.0047	.012	.012	2.669	.033	.051	.037	1,480	1,400	.110	11,000	9,600
	50	.012	65	.013	7	.120	.3	.3	67.8	.85	1.3	.95	6,600	6,200	.050		

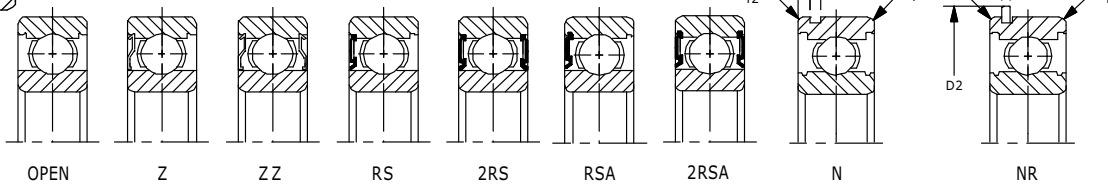
*Maximum fillet which corner radius of bearing will clear.



6800 SERIES (continued)



The 6800 series is made with very thin cross sections. Where space limitations are severe this series is very useful. Due to the thin races, loads are quite limited. Light thrust load can be accommodated. Available in 440C stainless steel. Shields and seals are quite common.



Units: Inches
Metric

Part Number	Bore d	Tolerance +.0000 to minus	OD D	Tolerance +.0000 to minus	Width B	Tolerance +.0000 to minus	* fillet radii		snap ring dimensions		snap ring groove dimensions		Basic Load Ratings		Weight lb Kg	Limiting speed of Open Bearing (rpm)	
							r	r ₂	D ₂ Max	f Max	a Max	b Min	Dynamic Cr	Static Cor		oil	grease
6811	2.1654	.0006	2.8346	.0005	.3543	.0059	.012	.012	2.945	.033	.067	.037	1,980	1,902	.181	10,000	8,700
	.55	.015	.72	.013	.9	.150	.3	.3	74.8	.85	1.7	.95	8,800	8,500	.082	9,400	8,000
6812	2.3622	.0006	3.0709	.0005	.3937	.0059	.012	.012	3.256	.044	.067	.051	2,587	2,460	.220	9,400	8,000
	.60	.015	.78	.013	1.0	.150	.3	.3	82.7	1.12	1.7	1.3	11,500	10,900	.180	8,700	7,400
6813	2.5591	.0006	3.3465	.0006	.3937	.0059	.024	.020	3.520	.044	.067	.051	2,680	2,722	.280	8,700	7,400
	.65	.015	.85	.015	1.0	.150	.6	.5	89.4	1.12	1.7	1.3	12,000	12,100	.127	8,100	6,900
6814	2.7559	.0006	3.5433	.0006	.3937	.0059	.024	.020	3.717	.044	.067	.051	2,710	2,860	.291	8,100	6,900
	.70	.015	.90	.015	1.0	.150	.6	.5	94.4	1.12	1.7	1.3	12,100	12,700	.132	8,100	6,900
6815	2.9528	.0006	3.7402	.0006	.3937	.0059	.024	.020	3.913	.044	.067	.051	2,820	3,127	.320	7,600	6,400
	.75	.015	.95	.015	1.0	.150	.6	.5	99.4	1.12	1.7	1.3	12,500	13,900	.145	7,100	6,000
6816	3.1496	.0006	3.9370	.0006	.3937	.0059	.024	.020	4.110	.044	.067	.051	2,857	3,262	.340	7,100	6,000
	.80	.015	1.00	.015	1.0	.150	.6	.5	104.4	1.12	1.7	1.3	12,700	14,500	.154	6,700	5,700
6817	3.3465	.0008	4.3307	.0006	.5118	.0079	.039	.020	4.555	.044	.083	.051	4,200	4,500	.560	6,700	5,700
	.85	.020	1.10	.015	1.3	.200	1.0	.5	115.7	1.12	2.1	1.3	18,700	20,000	.254	6,300	5,400
6818	3.5433	.0008	4.5276	.0006	.5118	.0079	.039	.020	4.752	.044	.083	.051	4,270	4,725	.591	6,300	5,400
	.90	.020	1.15	.015	1.3	.200	1.0	.5	120.7	1.12	2.1	1.3	19,000	21,000	.268	6,300	5,400
6819	3.7402	.0008	4.7244	.0006	.5118	.0079	.039	.020	4.949	.044	.083	.051	4,330	4,950	.631	5,900	5,000
	.95	.020	1.20	.015	1.3	.200	1.0	.5	125.7	1.12	2.1	1.3	19,200	22,000	.286	5,900	5,000
6820	3.9370	.0008	4.9213	.0007	.5118	.0079	.039	.020	5.146	.044	.083	.051	4,400	5,175	.659	5,600	4,800
	1.00	.020	1.25	.018	1.3	.200	1.0	.5	130.7	1.12	2.1	1.3	19,500	23,000	.299	5,600	4,800
6822	4.3307	.0008	5.5118	.0007	.6299	.0079	.039	.020	5.736	.067	.098	.075	6,322	7,312	1.096	5,100	4,300
	1.10	.020	1.40	.018	1.6	.200	1.0	.5	145.7	1.7	2.5	1.9	28,100	32,500	.497	4,700	4,000
6824	4.7244	.0008	5.9055	.0007	.6299	.0079	.039	.020	6.130	.067	.098	.075	6,502	7,987	1.184	4,700	4,000
	1.20	.020	1.50	.018	1.6	.200	1.0	.5	155.7	1.7	2.5	1.9	28,900	35,500	.537	4,700	4,000
6826	5.1181	.0010	6.4961	.0010	.7087	.0098	.043	.020	6.752	.067	.130	.075	8,325	9,900	1.671	4,300	3,700
	1.30	.025	1.65	.025	1.8	.250	1.1	.5	171.5	1.7	3.3	1.9	37,000	44,000	.758	4,300	3,700
6828	5.5118	.0010	6.8898	.0010	.7087	.0098	.043	.020	7.146	.067	.130	.075	8,662	10,800	1.834	4,000	3,400
	1.40	.025	1.75	.025	1.8	.250	1.1	.5	181.5	1.7	3.3	1.9	38,500	48,000	.832	4,000	3,400
6830	5.9055	.0010	7.4803	.0012	.7874	.0098	.043	.020	7.736	.067	.130	.075	10,700	13,162	2.535	3,700	3,100
	1.50	.025	1.90	.030	2.0	.250	1.1	.5	196.5	1.7	3.3	1.9	47,500	58,500	1.150	3,700	3,100
6832	6.2992	.0010	7.8740	.0012	.7874	.0098	.043	.020	8.130	.067	.130	.075	10,900	13,725	2.712	3,400	2,900
	1.60	.025	2.00	.030	2.0	.250	1.1	.5	206.5	1.7	3.3	1.9	48,500	61,000	1.230	3,400	2,900
6834	6.6929	.0010	8.4646	.0012	.8661	.0098	.043						13,500	16,875	4.109	3,200	2,700
	1.70	.025	2.15	.030	2.2	.250	1.1						60,500	75,000	1.864	3,200	2,700
6836	7.0866	.0010	8.8583	.0012	.8661	.0098	.043						13,600	17,662	4.381	3,000	2,600
	1.80	.025	2.25	.030	2.2	.250	1.1						60,498	78,500	1.987	3,000	2,600

*Maximum fillet which corner radius of bearing will clear.