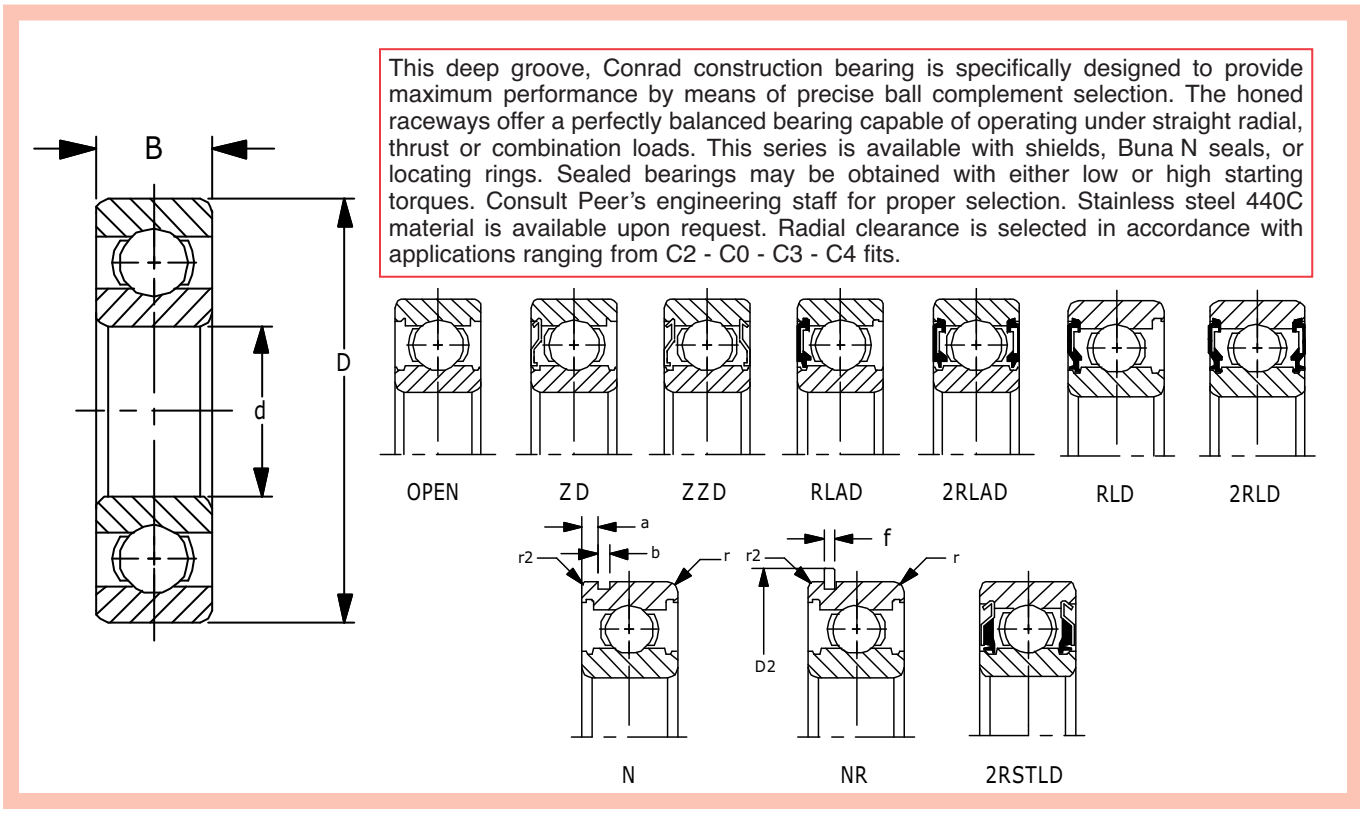


6200 SERIES



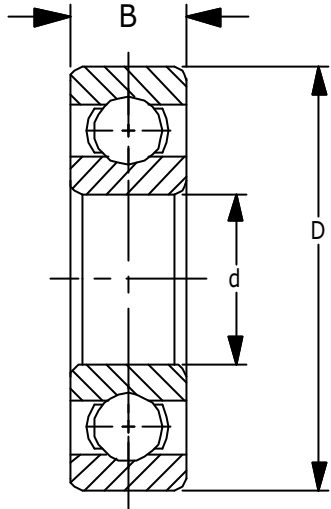
Units: Inches
Metric

| Part Number | Bore d | Tolerance +.0000 to minus | OD D | Tolerance +.0000 to minus | Width B | Tolerance +.0000 to minus | * fillet radii | | snap ring dimensions | | snap ring groove dimensions | | Basic Load Ratings lbf N | | Weight lb Kg | Limiting speed of Open Bearing (rpm) | |
|-------------|--------|---------------------------|--------|---------------------------|---------|---------------------------|----------------|------|----------------------|-------|-----------------------------|-------|--------------------------|------------|--------------|--------------------------------------|--------|
| | | | | | | | r | r2 | D2 Max | f Max | a Max | b Min | Dynamic Cr | Static Cor | | oil | grease |
| 6200 | .3937 | .0003 | 1.1811 | .0004 | .3543 | .0047 | .024 | .020 | 1.366 | .044 | .081 | .053 | 1,150 | 540 | .071 | 30,000 | 25,000 |
| | 10 | .008 | 30 | .009 | 9 | .120 | .6 | .5 | 34.7 | 1.12 | 2.06 | 1.35 | 5,100 | 2,390 | .032 | | |
| 6201 | .4724 | .0003 | 1.2598 | .0005 | .3937 | .0047 | .024 | .020 | 1.445 | .044 | .081 | .053 | 1,530 | 680 | .082 | 26,000 | 22,000 |
| | 12 | .008 | 32 | .011 | 10 | .120 | .6 | .5 | 36.7 | 1.12 | 2.06 | 1.35 | 6,800 | 3,050 | .037 | | |
| 6201-8 | .5000 | .0003 | 1.2598 | .0005 | .3937 | .0047 | .024 | .020 | 1.445 | .044 | .081 | .053 | 1,530 | 680 | .082 | 26,000 | 22,000 |
| | 12.7 | .008 | 32 | .011 | 10 | .120 | .6 | .5 | 36.7 | 1.12 | 2.06 | 1.35 | 6,800 | 3,050 | .037 | | |
| 6201-13mm | .5118 | .0003 | 1.2598 | .0005 | .3937 | .0047 | .024 | .020 | 1.445 | .044 | .081 | .053 | 1,530 | 680 | .090 | 26,000 | 22,000 |
| | 13 | .008 | 32 | .011 | 10 | .120 | .6 | .5 | 36.7 | 1.12 | 2.06 | 1.35 | 6,800 | 3,050 | .041 | | |
| 6202 | .5906 | .0003 | 1.3780 | .0005 | .4331 | .0047 | .024 | .020 | 1.563 | .044 | .081 | .053 | 1,740 | 839 | .110 | 26,000 | 20,000 |
| | 15 | .008 | 35 | .011 | 11 | .120 | .6 | .5 | 39.7 | 1.12 | 2.06 | 1.35 | 7,740 | 3,732 | .050 | | |
| 6202-10 | .6250 | .0003 | 1.3780 | .0005 | .4331 | .0047 | .024 | .020 | 1.563 | .044 | .081 | .053 | 1,740 | 839 | .110 | 26,000 | 20,000 |
| | 15.875 | .008 | 35 | .011 | 11 | .120 | .6 | .5 | 39.7 | 1.12 | 2.06 | 1.35 | 7,740 | 3,732 | .050 | | |
| 99502H | .6250 | .0003 | 1.375 | .0005 | .4331 | .0047 | .024 | .020 | 1.563 | .044 | .081 | .053 | 1,740 | 839 | .110 | 26,000 | 20,000 |
| | 15.875 | .008 | 34.93 | .011 | 11 | .120 | .6 | .5 | 39.7 | 1.12 | 2.06 | 1.35 | 7,740 | 3,732 | .050 | | |
| 499502H | .6250 | .0003 | 1.375 | .0005 | .4331 | .0047 | .024 | .020 | 1.563 | .044 | .081 | .053 | 1,740 | 839 | .110 | 26,000 | 20,000 |
| | 15.875 | .008 | 34.93 | .011 | 11 | .120 | .6 | .5 | 39.7 | 1.12 | 2.06 | 1.35 | 7,740 | 3,732 | .050 | | |
| 6202-16mm | .6299 | .0003 | 1.3780 | .0005 | .4331 | .0047 | .024 | .020 | 1.563 | .044 | .081 | .053 | 1,740 | 839 | .110 | 26,000 | 20,000 |
| | 16 | .008 | 35 | .011 | 11 | .120 | .6 | .5 | 39.7 | 1.12 | 2.06 | 1.35 | 7,740 | 3,732 | .050 | | |
| 6203 | .6693 | .0003 | 1.5748 | .0005 | .4724 | .0047 | .024 | .020 | 1.756 | .044 | .081 | .053 | 2,160 | 1,080 | .150 | 21,000 | 18,000 |
| | 17 | .008 | 40 | .011 | 12 | .120 | .6 | .5 | 44.6 | 1.12 | 2.06 | 1.35 | 9,600 | 4,800 | .068 | | |
| 6203-6 | .3750 | .0003 | 1.5748 | .0005 | .4724 | .0047 | .024 | .020 | 1.756 | .044 | .081 | .053 | 2,160 | 1,080 | .150 | 21,000 | 18,000 |
| | 9.525 | .008 | 40 | .011 | 12 | .120 | .6 | .5 | 44.6 | 1.12 | 2.06 | 1.35 | 9,600 | 4,800 | .068 | | |
| 6203-8 | .5000 | .0003 | 1.5748 | .0005 | .4724 | .0047 | .024 | .020 | 1.756 | .044 | .081 | .053 | 2,150 | 1,080 | .150 | 21,000 | 18,000 |
| | 12.7 | .008 | 40 | .011 | 12 | .120 | .6 | .5 | 44.6 | 1.12 | 2.06 | 1.35 | 9,600 | 4,800 | .068 | | |
| 6203-10 | .6250 | .0003 | 1.5748 | .0005 | .4724 | .0047 | .024 | .020 | 1.756 | .044 | .081 | .053 | 2,150 | 1,080 | .150 | 21,000 | 18,000 |
| | 15.875 | .008 | 40 | .011 | 12 | .120 | .6 | .5 | 44.6 | 1.12 | 2.06 | 1.35 | 9,600 | 4,800 | .068 | | |
| 6203-16mm | .6299 | .0003 | 1.5748 | .0005 | .4724 | .0047 | .024 | .020 | 1.756 | .044 | .081 | .053 | 2,150 | 1,080 | .150 | 21,000 | 18,000 |
| | 16 | .008 | 40 | .011 | 12 | .120 | .6 | .5 | 44.6 | 1.12 | 2.06 | 1.35 | 9,600 | 4,800 | .068 | | |

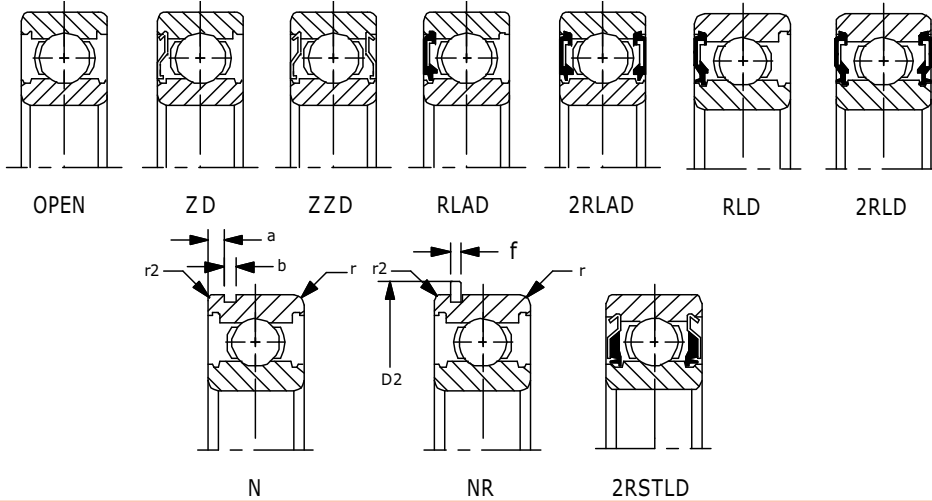
*Maximum fillet which corner radius of bearing will clear.



6200 SERIES (continued)



This deep groove, Conrad construction bearing is specifically designed to provide maximum performance by means of precise ball complement selection. The honed raceways offer a perfectly balanced bearing capable of operating under straight radial, thrust or combination loads. This series is available with shields, Buna N seals, or locating rings. Sealed bearings may be obtained with either low or high starting torques. Consult Peer's engineering staff for proper selection. Stainless steel 440C material is available upon request. Radial clearance is selected in accordance with applications ranging from C2 - C0 - C3 - C4 fits.

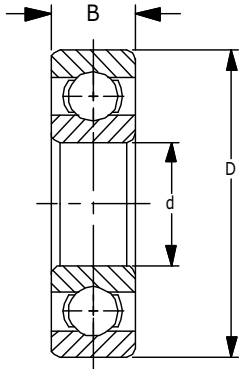


Units: Inches Metric

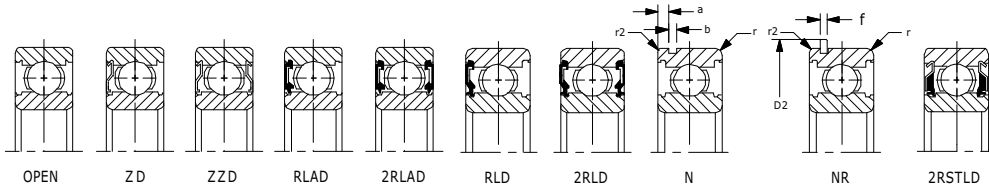
| Part Number | Bore d | Tolerance +.0000 to minus | OD D | Tolerance +.0000 to minus | Width B | Tolerance +.0000 to minus | * fillet radii | | snap ring dimensions | | snap ring groove dimensions | | Basic Load Ratings lbf N | | Weight lb Kg | Limiting speed of Open Bearing (rpm) oil grease | |
|-------------|--------|---------------------------|--------|---------------------------|---------|---------------------------|----------------|------|----------------------|-------|-----------------------------|-------|--------------------------|------------|--------------|---|--------|
| | | | | | | | r | r2 | D2 Max | f Max | a Max | b Min | Dynamic Cr | Static Cor | | | |
| 6203-12 | .7500 | .0003 | 1.5748 | .0005 | .4724 | .0047 | .024 | .020 | 1.756 | .044 | .081 | .053 | 2,150 | 1,080 | .150 | 21,000 | 18,000 |
| | 19.05 | .008 | 40 | .011 | 12 | .120 | .6 | .5 | 44.6 | 1.12 | 2.06 | 1.35 | 9,600 | 4,800 | .068 | | |
| 6204 | .7874 | .0004 | 1.8504 | .0005 | .5512 | .0047 | .039 | .020 | 2.075 | .044 | .097 | .053 | 2,880 | 1,480 | .236 | 18,000 | 16,000 |
| | 20 | .010 | 47 | .011 | 14 | .120 | 1.0 | .5 | 52.7 | 1.12 | 2.46 | 1.35 | 12,811 | 6,580 | .107 | | |
| 6204-12 | .7500 | .0004 | 1.8504 | .0005 | .5512 | .0047 | .039 | .020 | 2.075 | .044 | .097 | .053 | 2,880 | 1,480 | .236 | 18,000 | 16,000 |
| | 19.05 | .010 | 47 | .011 | 14 | .120 | 1.0 | .5 | 52.7 | 1.12 | 2.46 | 1.35 | 12,811 | 6,580 | .107 | | |
| 6204-14 | .8750 | .0004 | 1.8504 | .0005 | .5512 | .0047 | .039 | .020 | 2.075 | .044 | .097 | .053 | 2,880 | 1,480 | .236 | 18,000 | 16,000 |
| | 22.225 | .010 | 47 | .011 | 14 | .120 | 1.0 | .5 | 52.7 | 1.12 | 2.46 | 1.35 | 12,811 | 6,580 | .107 | | |
| 29504-2RST | .7504 | .0004 | 1.7805 | .0005 | .6100 | .0047 | .039 | .020 | | | | | 2,880 | 1,480 | .249 | 18,000 | 16,000 |
| | 19.016 | .010 | 45.22 | .011 | 15.49 | .120 | 1.0 | .5 | | | | | 12,811 | 6,580 | .113 | | |
| 62/22 | .8661 | .0004 | 1.9685 | .0005 | .5512 | .0047 | .059 | .020 | 2.193 | .044 | .097 | .053 | 2,900 | 1,530 | .262 | 17,000 | 14,000 |
| | 22 | .010 | 50 | .011 | 14 | .120 | 1.0 | .5 | 55.7 | 1.12 | 2.46 | 1.35 | 12,900 | 6,806 | .119 | | |
| 6205 | .9843 | .0004 | 2.0472 | .0005 | .5906 | .0047 | .039 | .020 | 2.280 | .044 | .097 | .053 | 3,150 | 1,770 | .284 | 15,000 | 13,000 |
| | 25 | .010 | 52 | .013 | 15 | .120 | 1.0 | .5 | 57.9 | 1.12 | 2.46 | 1.35 | 14,000 | 7,850 | .129 | | |
| 6205-14 | .8750 | .0004 | 2.0472 | .0005 | .5906 | .0047 | .039 | .020 | 2.280 | .044 | .097 | .053 | 3,150 | 1,770 | .284 | 15,000 | 13,000 |
| | 22.225 | .010 | 52 | .013 | 15 | .120 | 1.0 | .5 | 57.9 | 1.12 | 2.46 | 1.35 | 14,000 | 7,850 | .129 | | |
| 6205-16 | 1.0000 | .0004 | 2.0472 | .0005 | .5906 | .0047 | .039 | .020 | 2.280 | .044 | .097 | .053 | 3,150 | 1,770 | .291 | 15,000 | 13,000 |
| | 25.4 | .010 | 52 | .013 | 15 | .120 | 1.0 | .5 | 57.9 | 1.12 | 2.46 | 1.35 | 14,000 | 7,850 | .132 | | |
| 62/28 | 1.1024 | .0004 | 2.2835 | .0005 | .6299 | .0047 | .059 | .020 | 2.508 | .044 | .097 | .053 | 4,027 | 2,190 | .386 | 14,000 | 12,000 |
| | 28 | .010 | 58 | .013 | 16 | .120 | 1.5 | .5 | 63.7 | 1.12 | 2.46 | 1.35 | 17,900 | 9,750 | .175 | | |
| 6206 | 1.1811 | .0004 | 2.4409 | .0005 | .6299 | .0047 | .039 | .020 | 2.665 | .067 | .129 | .075 | 4,400 | 2,540 | .262 | 13,000 | 11,000 |
| | 30 | .010 | 62 | .013 | 16 | .120 | 1.0 | .5 | 67.7 | 1.7 | 3.28 | 1.9 | 19,500 | 11,300 | .119 | | |
| 62/32 | 1.2598 | .0005 | 2.5591 | .0005 | .6693 | .0047 | .059 | .020 | 2.783 | .067 | .129 | .075 | 4,657 | 2,600 | .498 | 12,000 | 11,000 |
| | 32 | .012 | 65 | .013 | 17 | .120 | 1.5 | .5 | 70.7 | 1.7 | 3.28 | 1.9 | 20,700 | 11,600 | .226 | | |
| 6207 | 1.3780 | .0005 | 2.8346 | .0005 | .6693 | .0047 | .043 | .020 | 3.094 | .067 | .129 | .075 | 5,782 | 3,442 | .626 | 11,000 | 9,300 |
| | 35 | .012 | 72 | .013 | 17 | .120 | 1.1 | .5 | 78.6 | 1.7 | 3.28 | 1.9 | 25,700 | 15,300 | .284 | | |
| 6208 | 1.5748 | .0005 | 3.1496 | .0005 | .7087 | .0047 | .043 | .020 | 3.409 | .067 | .129 | .075 | 6,550 | 4,000 | .807 | 10,000 | 8,700 |
| | 40 | .012 | 80 | .013 | 18 | .120 | 1.1 | .5 | 86.6 | 1.7 | 3.28 | 1.9 | 29,100 | 17,900 | .366 | | |
| 6209 | 1.7717 | .0005 | 3.3465 | .0006 | .7480 | .0047 | .043 | .020 | 3.606 | .067 | .129 | .075 | 7,350 | 4,580 | .939 | 9,200 | 7,800 |
| | 45 | .012 | 85 | .015 | 19 | .120 | 1.1 | .5 | 91.6 | 1.7 | 3.28 | 1.9 | 32,700 | 20,400 | .426 | | |

*Maximum fillet which corner radius of bearing will clear.

6200 SERIES (continued)



This deep groove, Conrad construction bearing is specifically designed to provide maximum performance by means of precise ball complement selection. The honed raceways offer a perfectly balanced bearing capable of operating under straight radial, thrust or combination loads. This series is available with shields, Buna N seals, or locating rings. Sealed bearings may be obtained with either low or high starting torques. Consult Peer's engineering staff for proper selection. Stainless steel 440C material is available upon request. Radial clearance is selected in accordance with applications ranging from C2 - C0 - C3 - C4 fits.



Units: Inches Metric

| Part Number | Bore d | Tolerance +.0000 to minus | OD D | Tolerance +.0000 to minus | Width B | Tolerance +.0000 to minus | * fillet radii | | snap ring dimensions | | snap ring groove dimensions | | Basic Load Ratings lbf N | | Weight lb Kg | Limiting speed of Open Bearing (rpm) | |
|-------------|--------|---------------------------|---------|---------------------------|---------|---------------------------|----------------|------|----------------------|-------|-----------------------------|-------|--------------------------|------------|--------------|--------------------------------------|--------|
| | | | | | | | r | r2 | D2 Max | f Max | a Max | b Min | Dynamic Cr | Static Cor | | oil | grease |
| 6210 | 1.9685 | .0005 | 3.5433 | .0006 | .7874 | .0047 | .043 | .020 | 3.799 | .097 | .129 | .106 | 7,875 | 5,220 | 1.012 | 8,300 | 7,100 |
| | 50 | .012 | 90 | .015 | 20 | .120 | 1.1 | .5 | 96.5 | 2.46 | 3.28 | 2.7 | 35,000 | 23,200 | .459 | 7,600 | 6,400 |
| 6211 | 2.1654 | .0006 | 3.9370 | .0006 | .8268 | .0059 | .059 | .020 | 4.193 | .097 | .129 | .106 | 9,800 | 6,580 | 1.365 | 7,600 | 6,400 |
| | 55 | .015 | 100 | .015 | 21 | .150 | 1.5 | .5 | 106.5 | 2.46 | 3.28 | 2.7 | 43,500 | 29,300 | .619 | 7,000 | 6,000 |
| 6212 | 2.3622 | .0006 | 4.3307 | .0006 | .8661 | .0059 | .059 | .020 | 4.591 | .097 | .129 | .106 | 11,800 | 8,100 | 1.720 | 7,000 | 6,000 |
| | 60 | .015 | 110 | .015 | 22 | .150 | 1.5 | .5 | 116.6 | 2.46 | 3.28 | 2.7 | 52,500 | 36,000 | .780 | 6,500 | 5,500 |
| 6213 | 2.5591 | .0006 | 4.7244 | .0006 | .9055 | .0059 | .059 | .020 | 5.106 | .111 | .160 | .122 | 12,937 | 9,037 | 2.220 | 6,500 | 5,500 |
| | 65 | .015 | 120 | .015 | 23 | .150 | 1.5 | .5 | 129.7 | 2.82 | 4.06 | 3.1 | 57,500 | 40,000 | 1.007 | 6,000 | 5,100 |
| 6214 | 2.7559 | .0006 | 4.9213 | .0007 | .9449 | .0059 | .059 | .020 | 5.303 | .111 | .160 | .122 | 13,950 | 9,900 | 2.410 | 6,000 | 5,100 |
| | 70 | .015 | 125 | .018 | 24 | .150 | 1.5 | .5 | 134.7 | 2.82 | 4.06 | 3.1 | 62,000 | 44,000 | 1.093 | 5,600 | 4,800 |
| 6215 | 2.9528 | .0006 | 4.1181 | .0007 | .9843 | .0059 | .059 | .020 | 5.500 | .111 | .160 | .122 | 14,900 | 11,100 | 2.620 | 5,600 | 4,800 |
| | 75 | .015 | 130 | .018 | 25 | .150 | 1.5 | .5 | 139.7 | 2.82 | 4.06 | 3.1 | 66,000 | 49,500 | 1.190 | 5,300 | 4,500 |
| 6216 | 3.1496 | .0006 | 5.5118 | .0007 | 1.0236 | .0059 | .079 | .020 | 5.894 | .111 | .193 | .122 | 16,300 | 11,925 | 3.130 | 5,300 | 4,500 |
| | 80 | .015 | 140 | .018 | 26 | .150 | 2.0 | .5 | 149.7 | 2.82 | 4.9 | 3.1 | 72,500 | 53,000 | 1.420 | 5,000 | 4,200 |
| 6217 | 3.3465 | .0008 | 5.9055 | .0007 | 1.1024 | .0079 | .079 | .020 | 6.287 | .111 | .193 | .122 | 18,787 | 14,400 | 3.880 | 5,000 | 4,200 |
| | 85 | .020 | 150 | .018 | 28 | .200 | 2.0 | .5 | 159.7 | 2.82 | 4.9 | 3.1 | 83,500 | 64,000 | 1.760 | 4,700 | 4,000 |
| 6218 | 3.5433 | .0008 | 6.2992 | .0010 | 1.1811 | .0079 | .079 | .020 | 6.681 | .111 | .193 | .122 | 21,000 | 16,100 | 4.800 | 4,700 | 4,000 |
| | 90 | .020 | 160 | .025 | 30 | .200 | 2.0 | .5 | 167.7 | 2.82 | 4.9 | 3.1 | 96,000 | 71,500 | 2.180 | 4,400 | 3,700 |
| 6219 | 3.7402 | .0008 | 6.6929 | .0010 | 1.2598 | .0079 | .083 | .020 | 7.201 | .122 | .224 | .138 | 24,525 | 18,450 | 5.820 | 4,400 | 3,700 |
| | 95 | .020 | 170 | .025 | 32 | .200 | 2.1 | .5 | 182.9 | 3.1 | 5.69 | 3.5 | 109,000 | 82,000 | 2.640 | 4,200 | 3,500 |
| 6220 | 3.9370 | .0008 | 7.0866 | .0010 | 1.3386 | .0079 | .083 | .020 | 7.594 | .122 | .224 | .138 | 27,500 | 20,900 | 7.200 | 4,200 | 3,500 |
| | 100 | .020 | 180 | .025 | 4 | .200 | 2.1 | .5 | 192.9 | 3.1 | 5.69 | 3.5 | 122,000 | 93,000 | 3.266 | 4,000 | 3,400 |
| 6221 | 4.1339 | .0008 | 7.4803 | .0012 | 1.4173 | .0079 | .083 | .020 | 7.988 | .122 | .224 | .138 | 29,900 | 23,500 | 8.350 | 4,000 | 3,400 |
| | 105 | .020 | 190 | .030 | 36 | .200 | 2.1 | .5 | 202.9 | 3.1 | 5.69 | 3.5 | 133,000 | 105,000 | 3.790 | 3,800 | 3,200 |
| 6222 | 4.3307 | .0008 | 7.8740 | .0012 | 1.4961 | .0079 | .083 | .020 | 8.382 | .122 | .224 | .138 | 32,400 | 26,325 | 9.810 | 3,800 | 3,200 |
| | 110 | .020 | 200 | .030 | 38 | .200 | 2.1 | .5 | 212.9 | 3.1 | 5.69 | 3.5 | 144,500 | 117,000 | 4.450 | 3,400 | 2,900 |
| 6224 | 4.7244 | .0008 | 7.4646 | .0012 | 1.5748 | .0079 | .083 | | | | | | 34,875 | 29,475 | 11.660 | 3,400 | 2,900 |
| | 120 | .020 | 215 | .030 | 40 | .200 | 2.1 | | | | | | 155,000 | 131,000 | 5.290 | 3,100 | 2,700 |
| 6226 | 5.1181 | .0010 | 9.0551 | .0012 | 1.5748 | .0098 | .118 | | | | | | 37,575 | 32,850 | 13.140 | 3,100 | 2,700 |
| | 130 | .025 | 230 | .030 | 40 | .250 | 3.0 | | | | | | 167,000 | 146,000 | 5.960 | 2,900 | 2,500 |
| 6228 | 5.5118 | .0010 | 9.8425 | .0012 | 1.6535 | .0098 | .118 | | | | | | 37,350 | 33,500 | 16.900 | 2,900 | 2,500 |
| | 140 | .025 | 250 | .030 | 42 | .250 | 3.0 | | | | | | 166,000 | 149,750 | 7.566 | 2,700 | 2,300 |
| 6230 | 5.9055 | .0010 | 1.6299 | .0014 | 1.7717 | .0098 | .118 | | | | | | 39,600 | 37,500 | 22.050 | 2,700 | 2,300 |
| | 150 | .025 | 270 | .035 | 45 | .250 | 3.0 | | | | | | 175,600 | 150,000 | 10.002 | 2,500 | 2,100 |
| 6232 | 6.2992 | .0010 | 11.4173 | .0014 | 1.8898 | .0098 | .118 | | | | | | 41,625 | 42,800 | 28.200 | 2,500 | 2,100 |
| | 160 | .025 | 290 | .035 | 48 | .250 | 3.0 | | | | | | 185,000 | 186,000 | 12.800 | 2,400 | 2,000 |
| 6234 | 6.6929 | .0010 | 12.2047 | .0014 | 2.0472 | .0098 | .157 | | | | | | 47,700 | 50,400 | 34.800 | 2,400 | 2,000 |
| | 170 | .025 | 310 | .035 | 52 | .250 | 4.0 | | | | | | 212,000 | 224,000 | 15.785 | 2,200 | 1,900 |
| 6236 | 7.0866 | .0010 | 12.5984 | .0016 | 2.0472 | .0098 | .157 | | | | | | 51,075 | 54,225 | 34.800 | 2,200 | 1,900 |
| | 180 | .025 | 320 | .040 | 52 | .250 | 4.0 | | | | | | 227,000 | 241,000 | 15.785 | 2,100 | 1,800 |
| 6238 | 7.4803 | .0012 | 13.3858 | .0016 | 2.1654 | .0118 | .157 | | | | | | 57,335 | 63,450 | 49.170 | 2,100 | 1,800 |
| | 190 | .030 | 340 | .040 | 55 | .300 | 4.0 | | | | | | 255,000 | 282,000 | 22.303 | 1,800 | |

*Maximum fillet which corner radius of bearing will clear.